

El compresor portátil no inflará

- Asegúrese de que la unidad no está siendo operada en el modo de arranque rápido.
- Asegúrese de que el botón de encendido del compresor se ha presionado para activar el compresor.
- Asegúrese de que el conector de la boquilla Sure Fit® está firmemente atornillada al vástago de válvula cuando se intenta inflar los neumáticos; o que el adaptador de la boquilla se atornilla firmemente en el conector de la boquilla Sure Fit® y está insertado correctamente en el elemento a ser inflado en todos los otros objetos inflables.
- El compresor puede sobrecalentarse. Pulse el botón de encendido del compresor para apagar el compresor. Reinicie después de un período de enfriamiento de 30 minutos aproximadamente.
- Compruebe que la unidad tiene una carga completa. Recargue la unidad en caso de necesidad.

ACCESORIOS

Accesorios recomendados para uso con esta unidad puede ser disponibles a través del fabricante. Si necesita ayuda con respecto a los accesorios, por favor póngase en contacto con el fabricante al 1-877-571-2391.

⚠ **ADVERTENCIA:** El uso de cualquier accesorio no recomendado para el uso con esta unidad podía ser peligroso.

INFORMACIÓN DE SERVICIO

Si usted necesita asesoramiento técnico, reparación, o partes genuinas del fabricante, póngase en contacto con el fabricante al 1-877-571-2391.

UN AÑO DE GARANTÍA LIMITADA

El fabricante garantiza este producto contra defectos de materiales y mano de obra durante un período de UN (1) AÑO a partir de la fecha de compra del producto por el comprador usuario final ("Período de Garantía"). Si hay un defecto y una reclamación válida se recibe dentro del período de garantía, el producto defectuoso puede ser reemplazado o reparado en el las siguientes maneras: (1) Devuelva el producto al fabricante para reparación o reemplazo, a opción del fabricante. La prueba de compra puede ser requerida por el fabricante. (2) Devuelva el producto a la tienda donde el producto fue comprado para un intercambio (siempre y cuando se trate de un minorista participante). Devoluciones al minorista deben hacerse dentro del plazo de póliza de devoluciones del minorista para intercambios solamente (por lo general 30 a 90 días después de la fecha de compra). La prueba de compra puede ser requerida por el minorista. Por favor consulte la póliza de devoluciones del minorista sobre devoluciones que están fuera del plazo establecido para intercambios.

Esta garantía no se aplica a los accesorios, bombillos, fusibles y baterías; defectos a consecuencias de desgaste normal; accidentes; daños y perjuicios sufridos durante el envío y manejo, alteraciones, reparaciones o uso no autorizado, negligencia, abuso, y si no se siguen instrucciones para el cuidado y mantenimiento del producto.

Esta garantía le otorga al comprador usuario final, derechos legales específicos y usted puede tener otros derechos que varían de estado a estado o de provincia a provincia. Este producto no está diseñado para uso comercial.

Por favor, visite nuestro sitio web www.baccusglobal.com/register para registrar el nuevo Baccus Global LLC producto y mantenerse al tanto de los nuevos productos y ofertas especiales.

ESPECIFICACIONES

Amperios de impulso:	12VCC, 500A instante
Tipo de batería:	De plomo sin necesidad de mantenimiento, sellada, 12 voltios CC
Entrada de CA:	120VCA, 60Hz, 14W
Luz de área:	3 LED blancos
Puerto del USB:	5VCC, 2.1A
Enchufe accesorio de la CC:	12VCC, 5A
Tomacorriente de la CA dual:	120VCA, 60Hz, 500W continuo
Presión máxima del aparato para compresor:	120 PSI

Importados Baccus Global LLC,
621 NW 53rd St., Suite 450, Boca Raton, FL 33487
www.baccusglobal.com • 1-877-571-2391



PROFESSIONAL POWER STATION INSTRUCTION MANUAL



Thank you for choosing Black + Decker!
Go to www.Baccusglobal.com to register your new product.

PLEASE READ BEFORE RETURNING THIS PRODUCT FOR ANY REASON:

If you have a question or experience a problem with your purchase, go to

[HTTP://WWW.BACCUSGLOBAL.COM](http://WWW.BACCUSGLOBAL.COM)

for instant answers 24 hours a day.

If you can't find the answer or do not have access to the internet, call 1-877-571-2391 from

9 a.m. to 5 p.m. EST, Mon. – Fri. to speak with an agent.

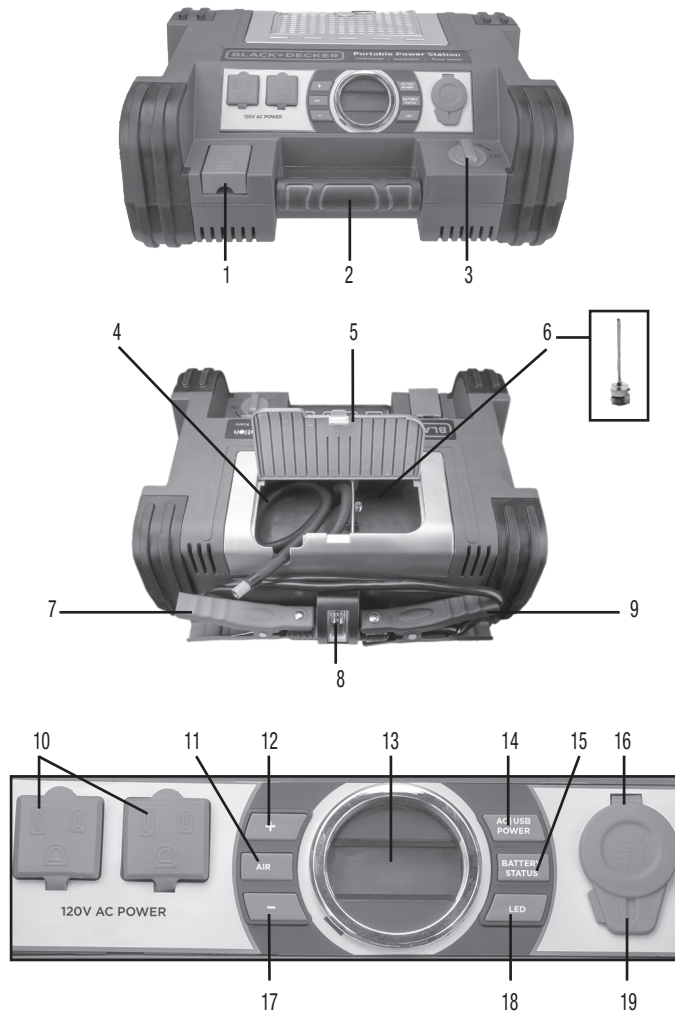
Please have the catalog number available when you call.

SAVE THIS MANUAL FOR FUTURE REFERENCE.

Copyright © 2021 Baccus Global LLC

RD071221

FEATURES



- | | | |
|--|--|--|
| 1. Built-in 120 Volt AC Charger (under protective cover) | 8. LED Area Light | 15. Battery Status Button |
| 2. Rubber Grip Handle | 9. Negative (-) Black Clamp | 16. 12 Volt DC Accessory Outlet (under protective cover) |
| 3. Jump-Starter Power Switch | 10. Dual 120 Volt AC Outlets (under protective covers) | 17. Compressor Pressure Control Button (-) |
| 4. Air Hose and Sure Fit® Nozzle Connector | 11. Compressor Power Button | 18. LED Area Light Power Button |
| 5. Storage Compartment Cover | 12. Compressor Pressure Control Button (+) | 19. USB Charging Port (under protective cover) |
| 6. Nozzle Adapter | 13. LCD Screen | |
| 7. Positive (+) Red Clamp | 14. AC/USB Power Button | |

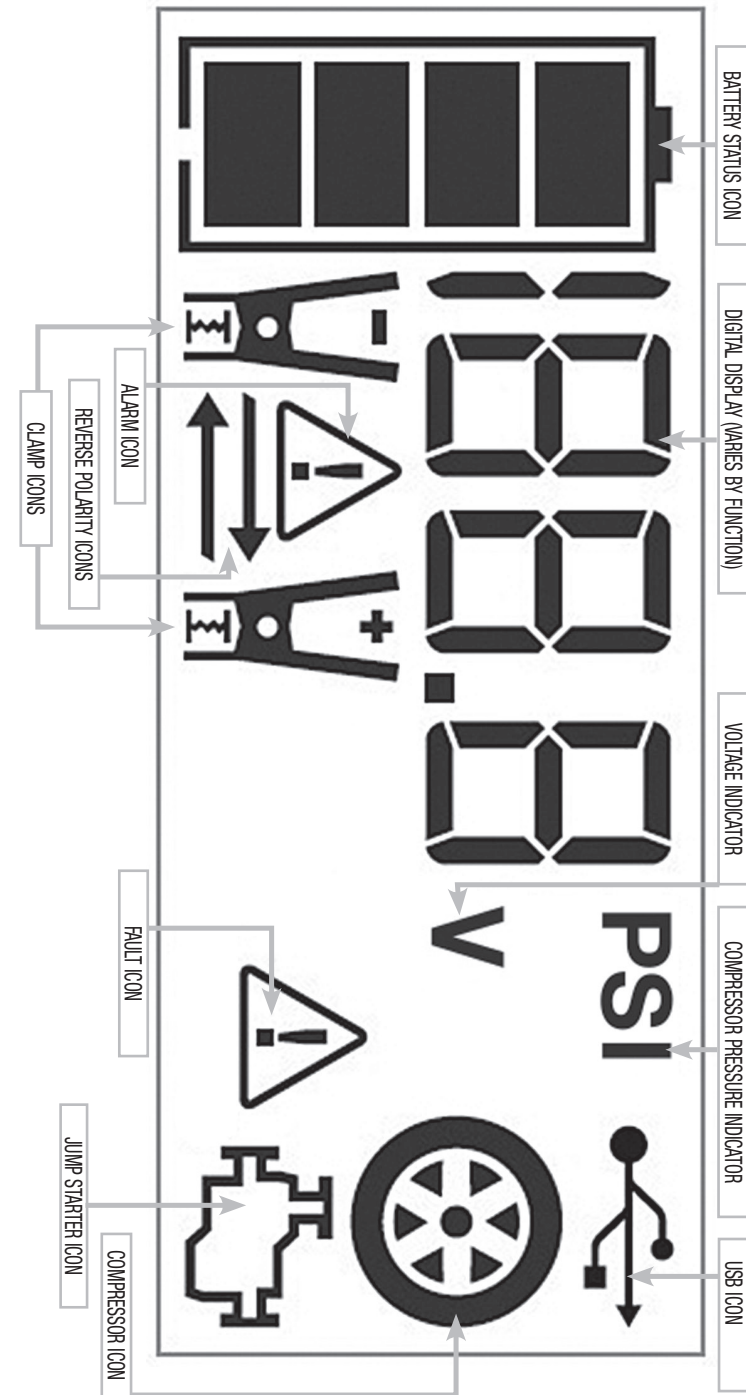
This device complies with part 15 of the FCC rules. Operation is subject to the following two conditions: (1) this device may not cause harmful interference, and (2) this device must accept any interference received, including interference that may cause undesired operation.

This equipment has been tested and found to comply with the limits for a Class B digital device, pursuant to part 15 of the FCC Rules. These limits are designed to provide reasonable protection against harmful interference in a residential installation. This equipment generates, uses and can radiate radio frequency energy and, if not installed and used in accordance with the instructions, may cause harmful interference to radio communications. However, there is no guarantee that interference will not occur in a particular installation. If equipment does cause harmful interference to radio or television reception, which can be determined by turning the equipment off and on, the user is encouraged to try to correct the interference by one or more of the following measures:

- Reorient or relocate the receiving antenna.
- Increase the separation between equipment and receiver.
- Connect the equipment into an outlet on a circuit different from that to which the receiver is connected.
- Consult the dealer or an experienced radio/TV technician for help.

Changes or modifications not approved by the party responsible for compliance could void user's authority to operate the equipment.

DIGITAL LCD SCREEN



SAFETY GUIDELINES / DEFINITIONS

⚠ DANGER: Indicates an imminently hazardous situation which, if not avoided, will result in death or serious injury.

⚠ WARNING: Indicates a potentially hazardous situation which, if not avoided, could result in death or serious injury.

⚠ CAUTION: Indicates a potentially hazardous situation which, if not avoided, may result in minor or moderate injury.

CAUTION: Used without the safety alert symbol indicates potentially hazardous situation which, if not avoided, may result in property damage.

RISK OF UNSAFE OPERATION. When using tools or equipment, basic safety precautions should always be followed to reduce the risk of personal injury. Improper operation, maintenance or modification of tools or equipment could result in serious injury and property damage. There are certain applications for which tools and equipment are designed. Manufacturer strongly recommends that this product NOT be modified and/or used for any application other than for which it was designed. Read and understand all warnings and operating instructions before using any tool or equipment.

READ ALL INSTRUCTIONS

⚠ WARNING: Read all instructions before operating power station. Failure to follow all instructions listed below may result in electric shock, fire and/or serious injury.

IMPORTANT SAFETY INSTRUCTIONS

GENERAL SAFETY WARNINGS AND INSTRUCTIONS

• This unit was designed for household use only.

⚠ WARNING – RISK OF FIRE, ELECTRIC SHOCK, BURST HAZARD, OR INJURY TO PERSONS OR PROPERTY

- Avoid dangerous environments. Don't use appliances in damp or wet locations. Don't use appliances in the rain.
- Keep children away. All visitors should be kept at a distance from work area.
- Store idle appliance indoors. When not in use, appliances should be stored indoors in a dry and high or locked-up place – out of reach of children.
- Don't abuse cord. Never carry appliance by cord or yank it to disconnect from receptacle. Keep cord from heat, oil, and sharp edges.
- Disconnect appliances. Disconnect the appliance from the power supply when not in use, before servicing, and when changing accessories.
- Ground Fault Circuit Interrupter (GFCI) protection should be provided on the circuits or outlets to be used. Receptacles are available having built in GFCI protection and may be used for this measure of safety.
- Use of accessories and attachments. The use of any accessory or attachment not recommended for use with this appliance could be hazardous. Refer to the accessory section of this manual for further details.
- Stay alert. Use common sense. Do not operate this equipment when you are tired or impaired.
- Check for damaged parts. Any part that is damaged should be replaced by the manufacturer before further use. Do not use tool if switch does not turn it on and off. Contact the manufacturer at 1-877-571-2391 for more information.
- Do not operate this appliance near flammable liquids or in gaseous or explosive atmospheres. Motors in these tools normally spark, and the sparks might ignite fumes.
- Never submerge this unit in water; do not expose it to rain, snow or use when wet.

- To reduce risk of electric shock, disconnect the unit from any power source before attempting maintenance or cleaning. Turning off controls without disconnecting will not reduce this risk.
- This equipment employs parts (switches, relays, etc.) that produce arcs or sparks. Therefore, if used in a garage or enclosed area, the unit MUST be placed not less than 18 inches above the floor.
- Do not use this unit to operate appliances that need more than 5 amps to operate from the 12 volt DC accessory outlet.
- Do not insert foreign objects into the USB port, the 12 volt DC accessory outlet or the 120 volt AC outlets.

SPECIFIC SAFETY INSTRUCTIONS FOR CHARGING THIS UNIT

- **IMPORTANT:** This unit is delivered in a partially charged state. Fully charge unit with a household extension cord for a full 40 hours before using for the first time. You cannot overcharge the unit using the AC charging method.
- To recharge this unit, use only the built-in AC charger.
- All Power switches should be in the OFF position when the unit is charging or not in use. Make sure all switches are in the OFF position before connection to a power source or load.

EXTENSION CORDS:

⚠ WARNING: Use of improper extension cord could result in a risk of fire and electric shock. When using an extension cord, make sure that the pins of the extension cord are the same number, size and shape as those in the charger; and be sure to use one heavy enough to carry the current your product will draw. An undersized cord will cause a drop in line voltage resulting in loss of power and overheating. The following table shows the correct size to use depending on cord length and nameplate ampere rating. If in doubt, use the next heavier gauge. The smaller the gauge number, the heavier the cord.

Volts	MINIMUM GAUGE FOR CORD SETS				
	Total Length of Cord in Feet (Meters)				
120V	0-25 (0-7.6m)	26-50 (7.6-15.2m)	51-100 (15.2-30.4m)	101-150 (30.4-45.7m)	
	240V	0-50 (0-15.2m)	51-100 (15.2-30.4m)	101-200 (30.4-60.9m)	201-300 (60.9-91.4m)
Ampere Rating		Extension Cord Length			
More Than	Not more Than	0'-25'	26'-50'	51'-100'	101'-150'
0 -	6	18	16	16	14
6 -	10	18	16	14	12
10 -	12	16	16	14	12
12 -	16	14	12	Not Recommended	

When an extension cord is used, make sure that:

- the pins of extension cord are the same number, size and shape as those in the charger,
- the extension cord is properly wired and in good electrical condition,
- the wire size is large enough for the AC rating of the charger.

⚠ CAUTION – TO REDUCE THE RISK OF INJURY OR PROPERTY DAMAGE:

Pull the extension cord by the plug rather than the cord when disconnecting from the built-in 120 volt AC charger or the AC outlets.

SPECIFIC SAFETY INSTRUCTIONS FOR JUMP STARTERS

⚠ WARNING: BURST HAZARD

Do not use the unit for charging dry-cell batteries that are commonly used with home appliances. These batteries may burst and cause injury to persons and damage property. Use the unit for charging/boosting a lead-acid battery only. It is not intended to supply power to a low-voltage electrical system other than in a starter-motor application.

- Use of an attachment not supplied, recommended or sold by manufacturer specifically for use with this unit may result in a risk of electrical shock and injury to persons.

⚠ WARNING: RISK OF EXPLOSIVE GASES

- Working in the vicinity of a lead acid battery is dangerous. Batteries generate explosive gases during normal battery operation. For this reason, it is of the utmost importance that each time before using the jump starter you read this manual and follow instructions exactly.
- To reduce the risk of battery explosion, follow these instructions and those published by the battery manufacturer and manufacturer of

any equipment you intend to use in the vicinity of the battery. Review cautionary markings on these products and on the engine.

⚠ CAUTION – TO REDUCE THE RISK OF INJURY OR PROPERTY DAMAGE:

- NEVER ATTEMPT TO JUMP-START OR CHARGE A FROZEN BATTERY.
- Vehicles that have on-board computerized systems may be damaged if vehicle battery is jump-started. Before jump-starting, read the vehicle's owner's manual to confirm that external-starting assistance is suitable.
- Never smoke or allow a spark or flame in vicinity of vehicle battery, engine or power station.
- Stay clear of fan blades, belts, pulleys, and other parts that can cause injury to persons.
- Remove personal metal items such as rings, bracelets, necklaces and watches when working with a lead acid battery. A lead acid battery can produce a short circuit current high enough to weld a ring, or similar metal object, to skin, causing a severe burn.
- Do not wear vinyl clothing when jump-starting a vehicle. Friction can cause dangerous static-electrical sparks.
- Be extra careful to avoid dropping a metal tool onto the battery. It might spark or short-circuit the battery or another electrical part and could cause an explosion.
- Jump-start procedures should only be performed in a safe, dry, well-ventilated area.
- Always store battery clamps when not in use. Never touch battery clamps together. This can cause dangerous sparks, power arcing and/or explosion.
- When using this unit close to the vehicle's battery and engine, stand the unit on a flat, stable surface, and be sure to keep all clamps, cords, clothing and body parts away from moving vehicle parts.
- Never allow red and black clamps to touch each other or another common metal conductor — this could cause damage to the unit and/or create a sparking/explosion hazard.

- For negative-grounded systems, connect the positive (red) clamp to the positive ungrounded battery post and the negative (black) clamp to the vehicle chassis or engine block away from the battery. Do not connect the clamp to the carburetor, fuel lines or sheet-metal body parts. Connect to a heavy gauge metal part of the frame or engine block.
- For positive-grounded systems, connect the negative (black) clamp to the negative ungrounded battery post and the positive (red) clamp to the vehicle chassis or engine block away from the battery. Do not connect the clamp to the carburetor, fuel lines or sheet-metal body parts. Connect to a heavy gauge metal part of the frame or engine block.

- If the clamps are connected incorrectly with regard to polarity, the backlit LCD screen will display the Battery Status Icon, Battery Voltage Indicator, and the Clamp Icons. The Alarm Icon, the "+" and "-" signs and the Reverse Polarity Icons will flash and the unit will sound a continuous alarm until the clamps are disconnected. Disconnect the clamps and reconnect to battery with correct polarity.
- Always disconnect the negative (black) jumper cable first, followed by the positive (red) jumper cable, except for positive grounded systems.
- Do not expose battery to fire or intense heat since it may explode. Before disposing of the battery, protect exposed terminals with heavy-duty electrical tape to prevent shorting (shorting can result in injury or fire).
- Place this unit as far away from the battery as cables permit.
- Never allow battery acid to come in contact with this unit.
- Do not operate this unit in a closed area or restrict ventilation in any way.
- This system is designed to be used only on vehicles with a 12 volt DC battery system. Do not connect to a 6 volt or 24 volt battery system.
- This system is not designed to be used as a replacement for a vehicular battery. Do not attempt to operate a vehicle that does not have a battery installed.
- Excessive engine cranking can damage a vehicle's starter motor. If the engine fails to start after the recommended number of attempts, discontinue jump-start procedures and look for other problems that may need to be corrected.
- Do not use this jump starter on a watercraft. It is not qualified for marine applications.
- Although this unit contains a non-spillable battery, it is recommended that unit be kept upright during storage, use and recharging. To avoid

possible damage that may shorten the unit's working life, protect it from direct sunlight, direct heat and/or moisture.

SPECIFIC SAFETY INSTRUCTIONS FOR INVERTERS

⚠ WARNING – TO REDUCE THE RISK OF ELECTRIC SHOCK:

- Do not connect to AC distribution wiring.
- Do not make any electrical connections or disconnections in areas designated as IGNITION PROTECTED. This inverter is NOT approved for ignition protected areas.
- Never immerse the unit in water or any other liquid, or use when wet.

⚠ WARNING – TO REDUCE THE RISK OF FIRE:

- Do not operate near flammable materials, fumes or gases.
- Do not expose to extreme heat or flames.

⚠ CAUTION – TO REDUCE THE RISK OF INJURY OR PROPERTY DAMAGE:

- Disconnect appliance plug from inverter outlet before attempting any repairs to the appliance.
- When an appliance plugged into this unit is used outdoors, use only extension cords intended for use outdoors and so marked.
- Do not attempt to connect the inverter while operating your vehicle. Not paying attention to the road may result in a serious accident.
- Always use the inverter where there is adequate ventilation.
- Always turn the inverter off when not in use.
- Keep in mind that this inverter will not operate high wattage appliances or equipment that produce heat, such as hair dryers, microwave ovens and toasters.
- Do not use this inverter with medical devices. It is not tested for medical applications.
- Operate inverter only as described in this Instruction Manual.

SPECIFIC SAFETY INSTRUCTIONS FOR THE USB PORT

- Do not insert foreign objects into the USB Port.
- Do not attach USB hubs or more than one personal electronic device to the USB Port.
- Some household USB-powered electronics will not operate with this unit.

SPECIFIC SAFETY INSTRUCTIONS FOR COMPRESSORS

⚠ CAUTION – TO REDUCE THE RISK OF INJURY OR PROPERTY DAMAGE:

Never leave the compressor unattended while in use.

- **⚠ WARNING – BURST HAZARD:** Bursting articles can cause serious injury.
- Carefully follow instructions on articles to be inflated.
- Never exceed the recommended pressure listed in instructions on articles to be inflated. If no pressure is given, contact article manufacturer before inflating.
- Monitor the pressure at all times on the pressure gauge.

⚠ CAUTION – TO REDUCE THE RISK OF PROPERTY DAMAGE:

Do not operate compressor continuously for longer than approximately 10 minutes, depending on ambient temperatures, as it may overheat. This could damage the compressor.

FIRST AID

When working with lead acid batteries, always make sure immediate assistance is available in case of accident or emergency.

Always have protective eyewear when using this product: contact with battery acid may cause blindness and/or severe burns. Be aware of first aid procedures in case of accidental contact with battery acid.

Do not wear loose clothing or jewelry. They can be caught in moving parts. Rubber gloves and substantial, non-skid footwear are recommended when working outdoors. Wear protective hair covering to contain long hair.

Have plenty of fresh water and soap nearby in case battery acid contacts skin.

- **Skin:** If battery acid comes in contact with skin, rinse immediately with water, then wash thoroughly with soap and water. If redness, pain, or irritation occurs, seek immediate medical attention.
- **Eyes:** If battery acid comes in contact with eyes, flush eyes immediately for a minimum of 15 minutes and seek immediate medical attention.
- **LCD liquid crystal display:** If liquid crystal comes in contact with your skin: Wash area off completely with plenty of water. Remove contaminated clothing. If liquid crystal gets into your eye: Flush the affected eye with clean water and then seek medical attention. If liquid crystal is swallowed: Flush your mouth thoroughly with water. Drink large quantities of water and induce vomiting. Then seek medical attention.

SAVE THESE INSTRUCTIONS

INTRODUCTION

Congratulations on purchasing your new **Black + Decker® Professional Digital Power Station**. Read this Instruction Manual and follow the instructions carefully before using this unit.

OVERVIEW

Common Actions and Unit Responses

Press the LED Area Light Power Button.	A beep will sound and the Area Light will turn on. The backlight will turn on for 10 seconds (only). The LCD screen will continue to display the Battery Status and Voltage Indicator. The LED Area Light remains on until switched off.
Press the Battery Status Button.	A beep will sound and the backlit LCD screen will display the Battery Status and Voltage Indicator for 10 seconds before the unit automatically turns off.
Press the AC/USB Power Button.	A beep will sound and the backlit LCD screen will display the Battery Status Icon and the USB Icon; the Digital Display shows "AC", indicating the AC Outlet and the USB charging port are ready to use. The unit remains on until the AC/USB Power Button is pressed again to turn both off.
Press the Compressor Power Button.	A beep will sound and the backlit LCD screen will display the Battery Status and the Compressor Icon and will alternately show the flashing pre-set PSI value (that was last set using the compressor pressure control buttons) and the current pressure of the item being inflated (which will light solid). If no further actions are taken after 1 minute, the unit will display the Battery Status and Voltage Indicator for 10 seconds before automatically turning off.
Whenever the clamps are properly connected to a battery (refer to the "Jump Starter" section) a beep will sound and the backlit LCD screen will display the Battery Status Icon, Battery Voltage Indicator, the Clamp Icons, and the "+" and "-" signs, as well as the flashing Jump Starter Icon. The unit remains on until the clamps are disconnected from the battery.
If the Jump Starter Power Switch is rotated to the on position and the clamps are not connected to a battery (refer to the "Jump Starter" section) a two-second warning will sound every 10 seconds. The backlit LCD screen will display the Battery Status Icon, Battery Voltage Indicator, the Clamp Icons, and the "+" and "-" signs. The Alarm Icon and the Jump Starter Icon will flash. The unit remains on until the Jump Starter Power Switch is switched off and then displays the Battery Status Icon and the voltage of digital display for 10 seconds before automatic shut down.

If the clamp connections to the battery's positive and negative terminals are reversed the backlit LCD screen will display the Battery Status Icon, Battery Voltage Indicator, and the Clamp Icons. The Alarm Icon, the "+" and "-" signs and the Reverse Polarity Icons will flash and the unit will sound continuously until the clamps are disconnected from the battery.
When the unit is charging or recharging using the built-in 120 Volt AC Charger the backlight will turn on for 10 seconds (only). The LCD screen will continue to display the Battery Status Icon and Battery Voltage Indicator. The bars on the battery icon will change from empty to solid (bottom to top) repeatedly.

Note: The unit will automatically power off once ALL the functions are turned off.

VIEWING BATTERY STATUS

To check the unit's battery charge level, press the Battery Status Button. The Battery Icon will indicate the battery charge level as follows:

- If the battery charge level is at full capacity, four solid bars will display.
- If the battery is partially charged, two or three solid bars will display.
- If the battery is nearly empty, one solid bar will display. The unit should be charged at this time.
- If the battery is completely empty, four blank bars will display. The unit MUST be charged at this time or the unit's built-in low voltage protection will activate. The empty Battery Status Icon will flash for a short period of time before automatic shut down. The unit will not operate until the battery is recharged.

CHARGING/RECHARGING

Lead-acid batteries require routine maintenance to ensure a full charge and long battery life. All batteries lose energy from self-discharge over time and more rapidly at higher temperatures. Therefore, batteries need periodic charging to replace energy lost through self-discharge. When the unit is not in frequent use, manufacturer recommends the battery should be recharged at least every 30 days and after each use.

IMPORTANT: If you attempt to use the unit when the unit's battery charge level is too low, the unit will automatically shut down. Recharge the unit with all other functions turned off as soon as possible.

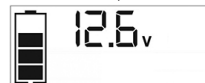
Notes: This unit is delivered in a partially charged state – you must fully charge it before using it for the first time. Initial AC charge should be for 40 hours.
Recharging battery after each use will prolong battery life; frequent heavy discharges between recharges and/or overcharging will reduce battery life.
Make sure all other unit functions are turned off during recharging, as this can slow the recharging process.

CAUTION – RISK OF PROPERTY DAMAGE: Failure to keep the battery charged will cause permanent damage and result in poor jump starting performance.

IMPORTANT: If you know the unit is discharged, but the battery icon displays four solid bars as if the unit is fully charged when connected to a charging power source, this may be due to the internal battery having high impedance. The manufacturer suggests leaving the unit charging for a period of 40 hours using the built-in AC charger before use.

Charging/Recharging Using the Built-In 120 Volt AC Charger and AC Extension Cord (not included)

1. Lift the protective cover of the built-in 120 volt AC charger located on the lower left front of the unit (refer to the Features section to locate). Connect an extension cord to the unit. Plug the other end of the cord into a standard 120-volt AC wall outlet. When the unit is properly connected to an AC power source, the LCD screen will display the following (the screen will be backlit):



The bars on the battery icon represent the capacity level of the unit's internal battery. After 10 seconds, the backlight will shut off. The bars on the battery icon will change from empty to solid (bottom to top) repeatedly to indicate the unit is charging.

2. Charge for approximately 40 hours or until the battery icon shows 4 solid bars.

3. When charging is complete, unplug the AC extension cord from the AC outlet and then disconnect it from the unit.

Note: The unit cannot be overcharged using this method.

JUMP STARTER

This unit is equipped with a Jump Starter Power Switch that allows energy to flow only when proper connections are made to battery and frame.

4. For negative-grounded systems, connect the positive (red) clamp to the positive ungrounded battery post and the negative (black) clamp to the vehicle chassis or engine block away from the battery. Do not connect the clamp to the carburetor, fuel lines or sheet-metal body parts. Connect to a heavy gage metal part of the frame or engine block.
5. For positive-grounded systems, connect the negative (black) clamp to the negative ungrounded battery post and the positive (red) clamp to the vehicle chassis or engine block away from the battery. Do not connect the clamp to the carburetor, fuel lines or sheet-metal body parts. Connect to a heavy gage metal part of the frame or engine block.

IMPORTANT: Make sure the Compressor Power Button has been turned off before attempting to use the unit as a Jump Starter.

WARNING – TO REDUCE THE RISK OF SERIOUS INJURY OR PROPERTY DAMAGE:

- Follow all safety instructions found in the "Specific Safety Instructions for Jump Starters" section of this Instruction Manual.
- Never touch red and black clamps together. This can cause dangerous sparks, power arcing, and/or explosion.
- If the clamps are connected incorrectly with regard to polarity, the unit will sound a continuous alarm until the clamps are disconnected. The backlit LCD Screen will display the Battery Status Icon, the Battery Voltage Indicator and the Clamp Icons. The "+" and "-" signs above the Clamp Icons, the Arrow Icons and the Alarm Icon will flash. The backlit LCD screen will display the following:



CAUTION: The unit will suffer permanent damage if the Jump Starter Power Switch is turned on while the clamps connected with reverse polarity. Disconnect the clamps and reconnect to battery with correct polarity.

- If the Jump Starter Power Switch is turned on and the unit detects that the clamps are not connected to a battery, a two-second warning will sound every 10 seconds. The LCD screen will display the Battery Status Icon, the Battery Voltage Indicator, and the Clamp Icons with the "+" and "-" signs. The Alarm Icon and the Jump Starter Icon will flash. The backlit LCD screen will display the following:



Turn off the Jump Starter Power Switch; connect the clamps to the battery, making sure the clamps are connected with correct polarity; then turn the Jump Starter Power Switch back on.

- Always disconnect the negative (black) jumper cable first, followed by the positive (red) jumper cable, except for positive grounded systems.

Procedure

Take the following steps, observing all cautions and warnings in the "Important Safety Instructions" section at the front of this manual.

1. Turn off vehicle ignition and all accessories (radio, A/C, lights, connected cell phone chargers, etc.). Place vehicle in "park" and set the emergency brake.
2. Make sure the Jump Starter Power Switch is in the off position.
3. Remove jumper clamps from clamp tabs. Connect the red clamp first, then the black clamp.
4. **Procedure for jump-starting a NEGATIVE GROUNDED SYSTEM (negative battery terminal is connected to chassis (MOST COMMON))**
 - 4a. Connect positive (+) red clamp to vehicle battery's positive terminal.
 - 4b. Connect negative (-) black clamp to chassis or a solid, non-moving, metal vehicle component or body part. Never clamp directly to negative battery terminal or moving part. Refer to the automobile owner's manual.

5. Procedure for jump-starting POSITIVE GROUND SYSTEMS

NOTE: In the rare event that the vehicle to be started has a Positive Grounded System (positive battery terminal is connected to chassis), replace steps 4a and 4b above with steps 5a and 5b, then proceed to step 6.

- 5a. Connect negative (-) black clamp to vehicle battery's negative terminal.
 - 5b. Connect positive (+) red clamp to vehicle chassis or a solid, non-moving, metal vehicle component or body part. Never clamp directly to positive battery terminal or moving part. Refer to the automobile owner's manual.
6. When the clamps are connected properly, the backlit LCD screen will display the following to indicate the unit is ready to jump-start:



The Battery Status Icon, Battery Voltage Indicator, Clamp Icons and the "+" and "-" signs light solid. The jump starter icon will flash to indicate the clamps are properly connected.

7. Turn the Jump Starter Power Switch on. Turn on the ignition and crank the engine in 5-6 second bursts until engine starts. The backlit LCD screen will display the following:



The Battery Status Icon, the Battery Voltage Indicator, Clamp Icons and the "+" and "-" signs light solid to indicate the unit is jump-starting. The Jump Starter Icon flashes. The Jump Starter Icon lights solid if vehicle is started.

8. Turn the Jump Starter Power Switch off.
9. Disconnect the negative (-) engine or chassis clamp first, then disconnect the positive (+) battery clamp.

IMPORTANT: Always turn the unit off when not in use. Recharge this unit fully after each use.

CAUTION – TO REDUCE THE RISK OF PROPERTY DAMAGE:

- Vehicles that have on-board computerized systems may be damaged if vehicle battery is jump-started. Before jump-starting this type of vehicle, read the vehicle manual to confirm that external-starting assistance is advised.
- Excessive engine cranking can damage the vehicle's starter motor. If the engine fails to start after the recommended number of attempts, discontinue jump-start procedure and look for other problems that need to be corrected.
- If vehicle fails to start, turn off the ignition, turn off the Jump Starter Power Switch, disconnect the jump-start system's leads and contact a qualified technician to investigate why the engine did not start.

LED AREA LIGHT

The built-in 3-LED area light is controlled by the area light power button on the control panel (refer to the Features section to locate). Press the area light power button once to turn the light on. Press the area light power button again to turn the area light off.

IMPORTANT: When the area light power button is pressed to turn it on, a beep will sound. The backlit LCD screen will turn on for 10 seconds (only) and will then continuously display the Battery Status Icon and Battery Voltage Indicator.

Periodically check the unit's Battery Status on the backlit LCD screen. Four solid bars in the battery icon indicates a full battery. When the battery level is nearly empty with only one solid bar or completely empty with 4 empty bars, the unit must be recharged at this time or the unit's built-in low voltage protection will activate. The empty Battery Status Icon will flash for a short period of time before automatic shut down.

Make sure the area light and the unit are turned off when the unit is being recharged or stored.

120 VOLT AC PORTABLE POWER SUPPLY

Rated Versus Actual Current Draw of Equipment

Most electrical tools, appliances, electronic devices and audio/visual equipment have labels that indicate the power consumption in amps or watts. Be sure that the power consumption of the item to be operated is below 500 watts. If the power consumption is rated in amps AC, simply multiply by the AC volts (120) to determine the wattage.

Resistive loads are the easiest for this unit to run; however, it will not run larger resistive loads (such as electric stoves and heaters), which require far more wattage than the unit can deliver on a continuous basis. Inductive loads (such as TVs and stereos) require more current to operate than do resistive loads of the same wattage rating.

CAUTION: Rechargeable Devices

- Certain rechargeable devices are designed to be charged by plugging them directly into an AC receptacle. These devices may damage the inverter or the charging circuit.
- When using a rechargeable device, monitor its temperature for the initial ten minutes of use to determine if it produces excessive heat.
- If excessive heat is produced, this indicates the device should not be used with this inverter.
- This problem does not occur with most of the battery-operated equipment. Most of these devices use a separate charger or transformer that is plugged into an AC receptacle.
- The inverter is capable of running most chargers and transformers.

Note: Some laptop computers may not operate with this inverter.

Power Inverter Output Waveform

The AC output waveform of this inverter is known as a modified sine wave. It is a stepped waveform that has characteristics similar to the sine wave shape of utility power. This type of waveform is suitable for most AC loads, including linear and switching power supplies used in electronic equipment, transformers, and small motors.

Protective Features

The inverter monitors the following conditions:

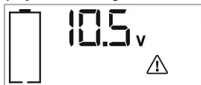
Low internal battery voltage	The inverter will automatically shut down when the battery voltage drops too low, as this can harm the battery.
High internal battery voltage	The inverter will automatically shut down when the battery voltage is too high, as this can harm the unit.
Thermal shutdown protection	The inverter will automatically shut down when the unit becomes overheated.
Overload/short circuit protection	The inverter will automatically shut down when an overload or short circuit occurs.

IMPORTANT NOTES:

The AC Power Outlets provide a total power draw of 500W.

When the AC Power Outlets are in use, the unit will monitor for the following fault conditions: thermal fault, low and high battery voltage fault, overload and short circuit (refer to the "Protective Features" section).

1. If a low internal battery voltage fault condition exists, the AC Power Outlets and the USB port will shut down automatically and the backlit LCD screen will display the following until the fault is corrected:



The Digital Display will show the Battery Voltage Indicator; the EMPTY Battery Status Icon and Fault Icon on the LCD Screen will flash.

2. If the high internal battery voltage fault condition exists, the AC Power Outlets and the USB port will shut down automatically and the backlit LCD screen will display the following until the fault is corrected:



The Digital Display will show the FULL Battery Status Icon; the "AC," USB icon and Fault Icon on the LCD Screen will flash.

3. If a thermal, overload or short circuit fault condition exists, the AC Power Outlets and the USB port will shut down automatically and the backlit LCD screen will display the following until the fault is corrected:



4. The Battery Status Icon will light solid; the "AC" and USB icon on the Digital Display and the Fault Icon on the LCD Screen will flash.

Should any of the above fault conditions occur:

1. Disconnect the appliance from the unit.
2. Press the AC/USB Power Button to turn the AC Power Outlets off.
3. Make sure the unit does not need to be recharged.
4. Allow the unit to cool down for several minutes.
5. Make sure the rating of the appliance plugged into the unit is 500 watts or lower and that the appliance cord and plug are not damaged.
6. Assure there is adequate ventilation around the unit before proceeding.

Using the 120 Volt AC Outlets

The 120 Volt AC Outlets are located on the front of the unit. The outlets support a maximum power draw of 500 watts.

1. Press the AC/USB Power Button to turn on the 120V AC Power Outlets. A beep will sound and the LCD Screen will display the following:



The Battery Status Icon lights solid and the Digital Display shows "AC" and USB icon, indicating the AC outlet is ready to use.

2. Insert the 120 volt AC plug from the appliance into the 120 Volt AC Outlets.
 3. Switch on the appliance and operate as usual.
- Note:** Ensure that the wattage of the equipment plugged into the 120V AC Power Outlets do not exceed 500 watts continuous.
4. Press the AC/USB Power Button again to turn off the 120V AC Power Outlets.

Periodically check the unit's Battery Status on the backlit LCD screen. Four solid bars in the battery icon indicates a full battery. When the battery level is nearly empty with only one solid bar or completely empty with 4 empty bars, the unit must be recharged at this time or the unit's built-in low voltage protection will activate. The empty Battery Status Icon will flash for a short period of time before automatic shut down.

IMPORTANT: Make sure the AC Power Outlets are turned off when the unit is being recharged or stored.

12 VOLT DC PORTABLE POWER SUPPLY

The 12 volt DC power supply is located under a protective cover on the front of the unit. Refer to the Features section to locate.

This portable power source is also for use with all 12 volt DC accessories equipped with a male accessory outlet plug and rated up to 5 amps.

1. Lift up the cover of the unit's 12 volt DC outlet.
2. Insert the 12 volt DC plug from the appliance into the 12 volt accessory outlet on the unit. DO NOT EXCEED A 5 AMP LOAD.
3. Switch on the appliance and operate as usual.
4. Periodically check the unit's Battery Status on the LCD screen by pressing the Battery Status Button. (Four solid bars in the battery icon indicates a full battery. One bar indicates that the unit needs to be recharged.)

USB CHARGING PORT

The USB charging port is under the same protective cover as the 12 volt DC outlet. Refer to the Features section to locate.

1. Press the AC/USB power button to turn the USB port on. A beep will sound and the backlit LCD screen will continuously display the following:



The "5V USB" icon indicates that the USB port is ready to use.

2. Plug the USB-powered device into the USB power port and operate normally.

The USB power port remains on until the AC/USB Power button is pressed again to turn it off. Make sure the USB port is turned off when the unit is being recharged or stored.

IMPORTANT NOTES:

When the USB Port is in use, the unit will monitor for the following USB fault conditions on the USB Port: low battery voltage fault, overload and short circuit.

If a low internal battery voltage fault condition exists, the USB port and AC Power Outlets will shut down automatically and the backlit LCD screen will display the following until the fault is corrected:



The Digital Display will show the Battery Voltage Indicator; the EMPTY Battery Status Icon and Fault Icon on the LCD Screen will flash.

If overload or short circuit fault condition exists, the USB port and AC Power Outlets will shut down automatically and the backlit LCD screen will display the following until the fault is corrected:



The Battery Status Icon will light solid; the "AC" and USB icon on the Digital Display and the Fault Icon on the LCD Screen will flash.

Should any of the above fault conditions occur:

- Disconnect the USB-powered device and press the AC/USB Power Button again to turn it off immediately.
- Allow the unit to cool down for several minutes before attempting to use the USB port again.
- If a fault occurs again, make sure that the total draw of the USB device plugged into the USB Port does not exceed 2.1A.
- If individual USB device is within specifications and the fault occurs, have the USB device checked for malfunction and do not continue to use it with the USB port.

Periodically check the unit's Battery Status on the backlit LCD screen. Four solid bars in the battery icon indicates a full battery. When the battery level is nearly empty with only one solid bar or completely empty with 4 empty bars, the unit must be recharged at this time or the unit's built-in low voltage protection will activate. The empty Battery Status Icon will flash for a short period of time before automatic shut down.

Note: This unit's USB power port does not support data communication. It only provides 5V DC/2.1A power to an external USB-powered device.

PORTABLE COMPRESSOR

The built-in 12 volt DC compressor is the ultimate compressor for vehicle tires, trailer tires and recreational inflatables. A nozzle adaptor is supplied that screws onto the end of the Sure Fit® nozzle at the free end of the compressor hose. The compressor hose with tire fitting is stored in the storage compartment. Refer to the "Features" illustration for locations of compressor hose. The Compressor Power Button and Increase (+) and Decrease (-) Compressor Pressure Control Buttons are located on the control panel on the front of the unit.

Before proceeding, check the unit's Battery Status on the LCD screen. Four solid bars in the battery icon indicates a full battery. When the battery level is nearly empty with only one solid bar, the unit MUST be recharged before

use or the unit's built-in low voltage protection will activate. The empty Battery Status Icon will flash for a short period of time before automatic shut down.

The compressor is capable of inflating up to 120 pounds per square inch (PSI) pressure. The compressor can operate long enough to fill up to 3 average sized tires before the battery must be recharged. Return hose to the storage compartment after use.

IMPORTANT: Make sure the Jump Starter Power Switch has been turned off before attempting to use the unit as a Compressor.

WARNING – TO REDUCE THE RISK OF SERIOUS INJURY OR PROPERTY DAMAGE: Follow all safety instructions found in the "Specific Safety Instructions for Compressors" section of this instruction manual.

CAUTION – TO REDUCE THE RISK OF SERIOUS INJURY OR PROPERTY DAMAGE: When the compressor is operated at a low PSI, the unit may start slowly and gradually rev up. When the compressor is operated at higher PSIs, the unit may operate normally for several minutes, then rev down for a few minutes before returning to normal operation. This feature protects the unit from overheating during normal use. In any event, do not operate compressor continuously for longer than 10 minutes, as it may overheat. This could damage the compressor. If the compressor must be operated for longer periods: every 10 minutes press the Compressor Power Button to turn the compressor off, then restart after a cooling down period of approximately 30 minutes. In any event, the compressor will automatically shut down after operating continuously for 10 minutes.

Inflating Tires or Products With Valve Stems

1. Screw the Sure Fit® nozzle onto the valve stem. Do not overtighten.
2. Press the Compressor Power Button. A beep will sound and the backlit LCD screen will display the following:



The Compressor Icon will light and the digital display will alternately show the flashing pre-set PSI value (that was last set by the compressor pressure control buttons) and the current pressure of the item being inflated (which will light solid).

3. Press the "+" and "-" Pressure Control Buttons to set the desired pressure from a range pre-set values (between 3 and 120), which will display on the backlit LCD screen. The unit will sound a beep with each press of the buttons (holding the button speeds up the upward or downward value selection). Once the desired pressure has been entered, release the button and the flashing digital display will show the new selected pressure, as follows:



4. Press the Compressor Power Button once more to begin inflating. The Compressor Icon will flash and the digital display will only show the current pressure value (which will light solid) to indicate the compressor is activated. Monitor the pressure on the LCD screen.
- IMPORTANT NOTE:** To interrupt during inflation, press the Compressor Power Button again.
5. When desired pre-set pressure is reached, the compressor will automatically stop.
6. Press the Compressor Power Button again to turn off the unit.
7. Unscrew and remove the Sure Fit® nozzle from the valve stem.
8. Allow the unit to cool, then recharge before storing away.
9. Store the compressor hose and Sure Fit® nozzle in storage compartment.

Inflating Other Inflatables Without Valve Stems

Inflation of other items requires use of the nozzle adapter.

1. Screw the nozzle adapter into the Sure Fit® nozzle. Do not overtighten.
2. Insert the nozzle adapter into item to be inflated.
3. Follow steps 2 through 4 of the "Inflating Tires or Products With Valve Stems" section.

IMPORTANT: Small items such as volleyballs, footballs, etc. inflate very rapidly. Keep this in mind when setting pressure. Take extra care not to over-inflate.

- When the desired pressure is reached, the compressor will automatically stop. Press the Compressor Power Button again to turn off the unit.
- Disconnect the adapter from the inflated item.
- Unscrew and remove the nozzle adapter from the Sure Fit® nozzle.
- Allow the unit to cool, then recharge before storing away.
- Store the compressor hose, Sure Fit® nozzle and nozzle adapter in the storage compartment.

CARE AND MAINTENANCE

All batteries lose energy from self-discharge over time and more rapidly at higher temperatures. When the unit is not in use, we recommend that the battery is charged at least every 30 days.

Never submerge the unit in water. If the unit gets dirty, gently clean the outer surfaces of the unit with a soft cloth.

There are no user-replaceable parts. Periodically inspect the condition of adapters, connectors and wires. Contact manufacturer to replace any components that have become worn or broken.

Battery

Please be advised that the battery is designed to last the service life of the unit and is not replaceable, removable or serviceable. Service life is dependent on a number of factors including but not limited to the number of recharge cycles, and proper care and maintenance of the battery by the end user. Contact manufacturer for any information you may need.

SAFE BATTERY DISPOSAL

Contains a maintenance-free, sealed, non-spillable, lead acid battery, which must be disposed of properly. Recycling is required. Failure to comply with local, state and federal regulations can result in fines, or imprisonment.

Please recycle.

⚠️ WARNINGS:

- Do not dispose of the battery in fire as this may result in an explosion.
- Before disposing of the battery, protect exposed terminals with heavy-duty electrical tape to prevent shorting (shorting can result in injury or fire).
- Do not expose battery to fire or intense heat as it may explode.



TROUBLESHOOTING

Unit will not charge	<ul style="list-style-type: none"> Make sure the AC/USB power button has been pressed to turn the inverter off. Make sure a suitable gauge extension cord is properly connected to both the unit and a functioning AC outlet.
Unit fails to jump-start	<ul style="list-style-type: none"> Make sure the unit is not being operated in the Compressor mode. Make sure unit's Jump Starter Power Switch is in the on position. Make sure a proper polarity cable connection has been established. Check that unit has a full charge. Recharge unit if necessary.
120 volt AC outlet will not power appliance	<ul style="list-style-type: none"> Make sure the AC/USB power button has been pressed to turn the inverter on. Make sure you have followed all the steps in the 120 AC portable power supply instructions carefully. Make sure the appliance being powered does not draw more than 500 watts Refer to the important notes included in that section that explain common problems and solutions. Check that unit has a full charge. Recharge unit if necessary.

12 volt DC accessory outlet will not power appliance	<ul style="list-style-type: none"> Make sure the the appliance does not draw more than 5 amps. Check that unit has a full charge. Recharge unit if necessary.
USB power port will not power appliance	<ul style="list-style-type: none"> Make sure that the total draw of the USB device plugged into the USB port does not exceed 2.1A. Make sure the AC/USB power button has been pressed to turn the USB ports on. Some USB-powered household electronics will not operate with this USB charging/power port. Check the manual of the corresponding electronic device to confirm that it can be used with this type of USB charging/power port. Check that unit has a full charge. Recharge unit if necessary.
LED area light does not come on	<ul style="list-style-type: none"> Make sure the area light power button has been pressed to turn the area light on. Check that unit has a full charge. Recharge unit if necessary.
Portable compressor will not inflate	<ul style="list-style-type: none"> Make sure the unit is not being operated in Jump Starter mode. Make sure the compressor power button has been pressed to turn the compressor on. Make sure the Sure Fit® nozzle connector is securely screwed on to the valve stem when attempting to inflate tires; or that the nozzle adapter is securely screwed into the Sure Fit® nozzle connector and is inserted properly into the item to be inflated on all other inflatables. The compressor may be overheated. Press the compressor power button to turn the compressor off. Restart after a cooling down period of approximately 30 minutes. Check that unit has a full charge. Recharge unit if necessary.

ACCESSORIES

Recommended accessories for use with your tool may be available from the manufacturer. If you need assistance regarding accessories, please contact the manufacturer at 1-877-571-2391.

⚠️ **WARNING:** The use of any accessory not recommended for use with this appliance could be hazardous.

SERVICE INFORMATION

Whether you need technical advice, repair, or genuine factory replacement parts, contact the manufacturer at 1-877-571-2391.

FULL ONE-YEAR HOME USE WARRANTY

The manufacturer warrants this product against defects in materials and workmanship for a period of ONE (1) YEAR from the date of retail purchase by the original end-user purchaser ("Warranty Period").

If there is a defect and a valid claim is received within the Warranty Period, the defective product can be replaced or repaired in the following ways:
 (1) Return the product to the manufacturer for repair or replacement at manufacturer's option. Proof of purchase may be required by manufacturer.
 (2) Return the product to the retailer where product was purchased for an exchange (provided that the store is a participating retailer). Returns to retailer should be made within the time period of the retailer's return policy for exchanges only (usually 30 to 90 days after the sale). Proof of purchase may be required. Please check with the retailer for their specific return policy regarding returns that are beyond the time set for exchanges.

This warranty does not apply to accessories, bulbs, fuses and batteries; defects resulting from normal wear and tear, accidents; damages sustained during shipping; alterations; unauthorized use or repair; neglect, misuse, abuse; and failure to follow instructions for care and maintenance for the product.

This warranty gives you, the original retail purchaser, specific legal rights and you may have other rights which vary from state to state or province to province. This product is not intended for commercial use.

Please visit our website www.baccusglobal.com/register to register your new Baccus Global LLC product and to be kept up to date on new products and special offers.

SPECIFICATIONS

Boost Ampere:	12V DC, 500A instant
Battery Type:	Maintenance-free, sealed lead acid, 12V DC
AC Input:	120V AC, 60Hz, 14W
Area Light:	3 white LEDs
USB Port:	5V DC, 2.1A
DC Accessory Outlet:	12V DC, 5A
Dual 120V AC Outlets:	120V AC, 60Hz, 500W continuous
Compressor Maximum Pressure:	120 PSI

Imported by Baccus Global LLC,
 621 NW 53rd St., Suite 450, Boca Raton, FL 33487
www.Baccusglobal.com • 1-877-571-2391



FUENTE DE ENERGÍA DIGITAL

MANUAL DE INSTRUCCIONES



¡Gracias por elegir Black + Decker!
Visite www.Baccusglobal.com para registrar su nuevo producto.

LEA EL MANUAL ANTES DE DEVOLVER ESTE PRODUCTO POR CUALQUIER MOTIVO:

Si tiene una consulta o algún inconveniente con su producto, visite

[HTTP://WWW.BACCUSGLOBAL.COM](http://www.BACCUSGLOBAL.COM)

para obtener respuestas instantáneas las 24 horas del día.

Si no encuentra la respuesta o no tiene acceso al Internet, llame al 1-877-571-2391 de

Lunes a Viernes de 9 a.m. a 5 p.m. hora del este para hablar con un agente.

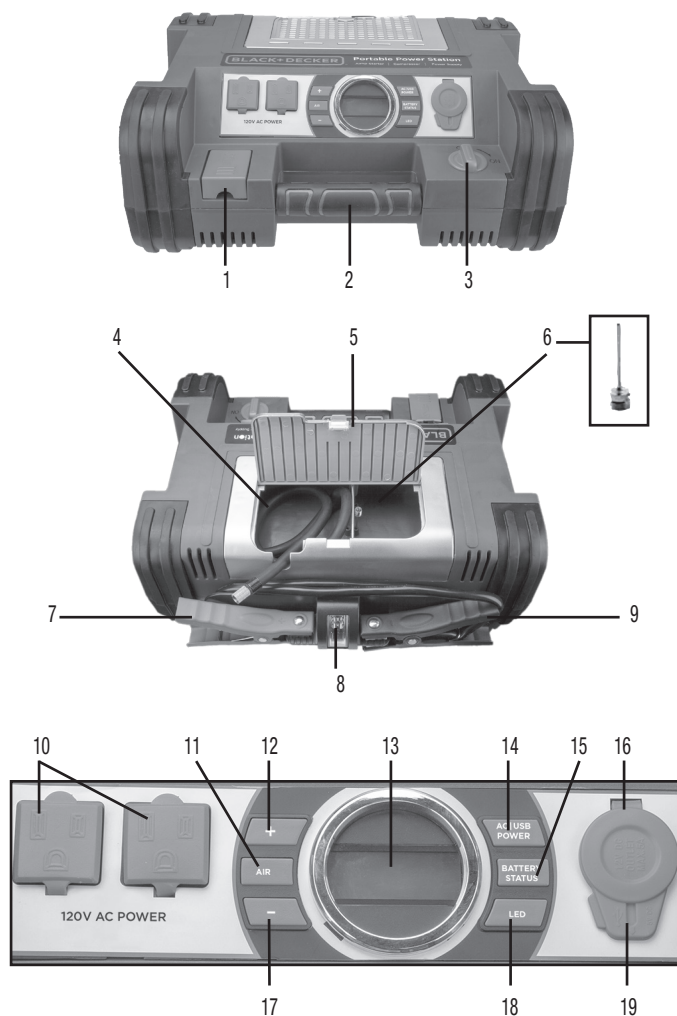
Cuando llame, tenga a mano el número de catálogo.

CONSERVE ESTE MANUAL PARA FUTURAS CONSULTAS.

Derechos Reservados © 2021 Baccus Global LLC

RD071221

CARACTERÍSTICAS



- | | | |
|---|--|--|
| 1. Cargador de CA de 120 voltios incorporado (bajo cubierta protectora) | 7. Pinza roja del positivo (+) | 14. Botón de alimentación AC/USB |
| 2. Manija de goma | 8. Luz de área LED | 15. Botón de estado de la batería |
| 3. Interruptor del puente auxiliar de arranque | 9. Pinza negra del negativo (-) | 16. Tomacorriente para accesorios de 12V CC (bajo cubierta protectora) |
| 4. Manguera e Sure Fit® conector para la boquilla | 10. Se doblan los enchufes de 120V CA (bajo cubiertas protectoras) | 17. Botón de control de presión del compresor (-) |
| 5. Cubierta del compartimiento del almacenaje | 11. Botón de alimentación del compresor | 18. Botón de encendido del área de luz LED |
| 6. Adaptador de boquilla | 12. Botón de control de presión del compresor (+) | 19. Puerto de carga del USB (bajo cubierta protectora) |
| | 13. Pantalla del LCD | |

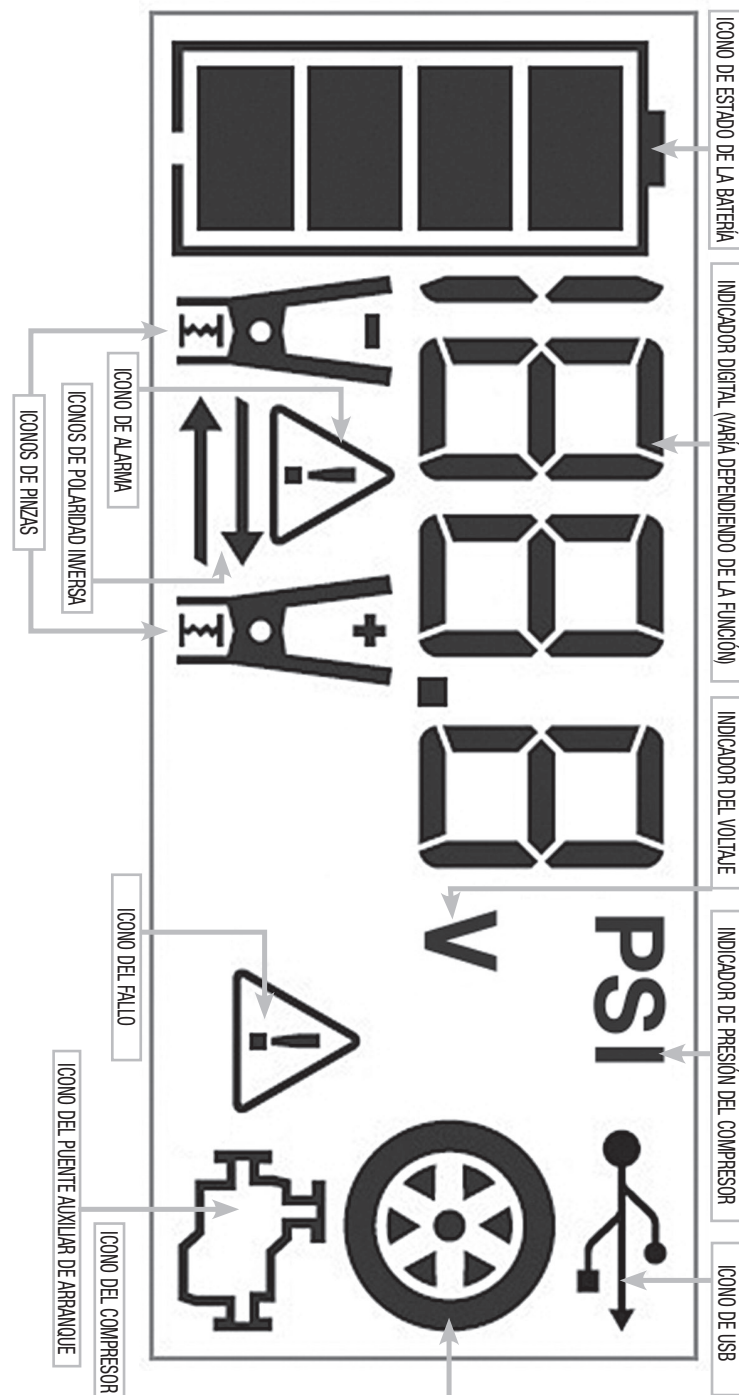
Este dispositivo cumple con la parte 15 de las normas de la Comisión Federal de Comunicaciones de Estados Unidos (FCC). La operación está sujeta a las dos condiciones siguientes: (1) este dispositivo no puede causar interferencia perjudicial y (2) este mecanismo debe aceptar cualquier interferencia recibida, incluida la in-terferencia que puede provocar una operación no deseada.

Este equipo ha sido probado y se encontró que cumple con los límites para dispositivo digital Clase B, según la parte 15 de las normas de la FCC. Estos límites están diseñados para brindar protección razonable contra interferencia perjudicial en una instalación residencial. Este equipo genera, usa y puede irradiar energía en frecuencia de radio y, si no se instala y se usa de acuerdo con las instrucciones, puede provocar interferencia perjudicial en las comunicaciones de radio. Sin embargo, no hay garantía de que la interferencia no ocurra en una instalación en particular. Si el equipo provoca interferencia perjudicial en la recepción de radio o televisión, lo que se puede determinar al apagar y encender el equipo, el usuario debe tratar de corregir la interferencia mediante una o más de las siguientes medidas:

- Cambiar la orientación o la ubicación de la antena de recepción.
- Aumentar la separación entre el equipo y el receptor.
- Conectar el equipo a un tomacorriente sobre un circuito diferente de aquel al que está conectado el receptor.
- Consultar al vendedor o pedir la ayuda de un técnico en radio y televisión con experiencia.

Los cambios o las modificaciones no aprobados por el partido responsable de conformidad podían anular la autoridad del usuario para funcionar el equipo.

PANTALLA DEL LCD DIGITAL



NORMAS DE SEGURIDAD / DEFINICIONES

▲ **PELIGRO:** Indica una situación de peligro inminente que, si no se evita, provocará la muerte o lesiones graves.

▲ **ADVERTENCIA:** Indica una situación de peligro inminente que, si no se evita, provocará la muerte o lesiones graves.

▲ **PRECAUCIÓN:** Indica una situación de peligro potencial que, si no se evita, puede provocar lesiones leves o moderadas.

PRECAUCIÓN: Utilizado sin el símbolo de alerta de seguridad indica una situación de peligro potencial que, si no se evita, puede provocar daños a la propiedad.

RIESGO DE OPERACIÓN INSEGURA. Cuando se utilizan herramientas o equipos, siempre se deben respetar las precauciones de seguridad para reducir el riesgo de lesiones personales. La operación, el mantenimiento o la modificación incorrectos de herramientas o equipos pueden provocar lesiones graves y daños a la propiedad. Las herramientas y los equipos están diseñados para usos determinados. Fabricante recomienda encarecidamente que NO se modifique este producto y que NO se utilice para ningún otro uso que aquel para el que fue diseñado. Lea y comprenda todas las instrucciones operativas y las advertencias antes de utilizar cualquier herramienta o equipo.

LEA TODAS LAS INSTRUCCIONES

▲ **ADVERTENCIA:** Lea todas las instrucciones antes de operar el fuente de energía. El incumplimiento de todas las instrucciones enumeradas a continuación puede provocar una descarga eléctrica, un incendio o lesiones graves.

INSTRUCCIONES IMPORTANTES DE SEGURIDAD

ADVERTENCIAS E INSTRUCCIONES DE SEGURIDAD GENERALES

- Esta unidad fue diseñada para el uso doméstico.
- ▲ **ADVERTENCIA – RIESGO DE INCENDIOS, DESCARGAS ELÉCTRICAS, PELIGRO DE EXPLOSIÓN O LESIONES A PERSONAS O PROPIEDADES:**
 - Evite las condiciones ambientales peligrosas. No utilice artefactos en zonas húmedas o mojadas. No utilice artefactos bajo la lluvia.
 - Mantenga a los niños alejados. Los visitantes deben mantenerse a cierta distancia del área de trabajo.
 - Use la vestimenta adecuada. No use ropas holgadas o joyas. Pueden atascarse en las piezas en movimiento. Se recomienda utilizar guantes de goma y calzado antideslizante considerable al trabajar al aire libre. Recójase y cubra el cabello largo.
 - Use anteojos de seguridad y cualquier otro equipo de seguridad. Use anteojos protectores o lentes de seguridad con protección lateral que cumplan con las normas de seguridad aplicables. Puede conseguir anteojos de seguridad o similares a un costo adicional en su distribuidor local.
 - Guarde los artefactos que no utilice en el interior. Cuando no los utilice, los artefactos deben guardarse bajo techo, en un lugar seco, alto o bajo llave, lejos del alcance de los niños.
 - No tire del cable. Nunca transporte el aparato por el cable ni lo jale para desconectarlo del tomacorriente. Mantenga el cable alejado del calor, el aceite y los bordes afilados.
 - Desconecte los aparatos. Desconecte el aparato de la fuente de energía cuando no lo utilice, antes de realizar un mantenimiento y al cambiar accesorios como hojas y elementos semejantes.

- La protección del interruptor de corte por falla a tierra (GFCI) debe aplicarse a los circuitos o los tomacorrientes que se utilizarán. Hay tomacorrientes con protección GFCI incorporada que pueden utilizarse para tomar esta medida de seguridad.
- **Uso de accesorios y suplementos.** El uso de accesorios o dispositivos no recomendados para utilizar con este aparato puede resultar peligroso. Consulte la sección "Accesorios" de este manual para obtener detalles adicionales.
- **Manténgase alerta.** Use el sentido común. No opere este equipo si está cansado o con impedimentos.
- **Compruebe para saber si hay piezas dañadas.** Cualquier parte que esté dañada debe ser reemplazada por el fabricante antes de su uso posterior. No utilice la herramienta si el interruptor no le da vuelta por intervalos. Contacto con el fabricante en 877-571-2391 para más información.
- **No funcione el aparato cerca de líquidos inflamables o en atmósferas gaseosas o explosivas.** Los motores de estas herramientas normalmente chispean, y las chispas pueden encender los vapores.
- **Nunca sumerja esta unidad en agua;** no la exponga a la lluvia, la nieve, ni la use cuando esté mojada.
- **Para reducir el riesgo de descarga eléctrica,** desconecte la unidad de cualquier fuente de energía antes de intentar limpiarla o realizarle un mantenimiento. Apagar los controles sin desenchufar la unidad no reducirá este riesgo.
- **Este equipo emplea piezas (interruptores y relés) que producen arcos o chispas.** Por lo tanto, si utiliza la unidad en una cochera o un área cerrada, DEBE colocarla a no menos de 457 mm (18 pulgadas) por encima del piso.
- **No utilice esta unidad para operar aparatos que necesitan más de 5 A para funcionar del tomacorriente para accesorios de CC de 12 voltios.**
- **No inserte los objetos extranjeros en el puerto del USB, el enchufe accesorio de 12 voltios CC o los enchufes de 120 voltios CA.**

INSTRUCCIONES DE SEGURIDAD ESPECÍFICAS PARA CARGAR ESTA UNIDAD

- **IMPORTANTE:** Esta unidad se entrega en un estado de carga parcial. Cargue la unidad completamente con el cable prolongador para uso doméstico durante 40 horas antes de utilizarla por primera vez. No puede sobrecargar la unidad utilizando el método de carga CA.
- Para recargar esta unidad, utilice sólo el cargador incorporado CA.
- Todos los interruptores de ENCENDIDO/APAGADO (Power) deben estar en la posición de apagado (OFF) cuando se carga la unidad o cuando no está en uso. Asegúrese de que todos los interruptores estén en la posición de apagado (OFF) antes de realizar la conexión a una fuente de energía o carga.

CABLES DE EXTENSIÓN:

▲ **ADVERTENCIA:** El uso de un cable de extensión incorrecta podría dar lugar a un riesgo de fuego y descarga eléctrica. Al usar un cable de extensión, cerciórese de que los pernos del cable de extensión son el mismo número, tamaño y forma que éstos en el cargador; y esté seguro de utilizar uno bastante pesado para llevar la corriente que su producto dibujará. Un cable de menor capacidad provocará una disminución en el voltaje de la línea, lo cual producirá una pérdida de potencia y sobrecalentamiento. La siguiente tabla muestra la medida correcta que debe utilizarse según la longitud del cable y la capacidad nominal en amperios indicada en la placa. En caso de duda, utilice el calibre inmediatamente superior. Cuanto menor es el número de calibre, más grueso es el cable.

CALIBRE MÍNIMO PARA LOS JUEGOS DE CABLES					
Voltios	Largo total del cable en pies (metros)				
120V	0-25 (0-7.6m)	26-50 (7.6-15.2m)	51-100 (15.2-30.4m)	101-150 (30.4-45.7m)	
	240V	0-50 (0-15.2m)	51-100 (15.2-30.4m)	101-200 (30.4-60.9m)	201-300 (60.9-91.4m)
Grado del amperio		Longitud de la cable de extensión			
Más que	No más que	0'-25'	26'-50'	51'-100'	101'-150'
Calibrador de alambre Americano (AWG)					
0 -	6	18	16	16	14
6 -	10	18	16	14	12
10 -	12	16	16	14	12
12 -	16	14	12	No recomendado	

- Cuando se utiliza un cable prolongador, asegúrese de que:

- las patas del cable prolongador sean del mismo número, el mismo tamaño y la misma forma que las del cargador,
- el cable prolongador posea los conductores correctos y esté en buenas condiciones eléctricas,
- la medida del conductor sea suficientemente grande para la capacidad nominal en amperios.

▲ PRECAUCIÓN – PARA REDUCIR EL RIESGO DE LESIONES O DAÑO A LA PROPIEDAD:

Cuando desconecte el cable de extensión desde el cargador de CA de 120 voltios incorporado o la toma de CA, tire por el conector y no por el cable.

- No exceda 6 horas que cargan tiempo usando este método.

INSTRUCCIONES DE SEGURIDAD ESPECÍFICAS PARA AUXILIARES DE ARRANQUE

▲ ADVERTENCIA, PELIGRO DE ESTALLIDO

No utilice la unidad para cargar las baterías secas que se usan normalmente con los aparatos domésticos. Estas baterías pueden estallar y provocar lesiones a las personas y daños a la propiedad. Use la unidad para carga/refuerzo solamente de una batería de plomo-ácido. No está diseñada para proveer energía a un sistema eléctrico de bajo voltaje que no sea para arrancar un motor.

- El uso de un dispositivo no suministrado, recomendado o vendido por el fabricante específicamente para el uso con esta unidad puede provocar riesgo de descarga eléctrica y lesiones a las personas.

▲ ADVERTENCIA: RIESGO DE GASES EXPLOSIVOS

• Trabajar cerca de una batería de plomo ácido es peligroso. Las baterías generan gases explosivos durante su funcionamiento normal. Por esta razón, es muy importante que siempre lea este manual antes de utilizar el puente auxiliar de arranque y que siga las instrucciones con exactitud. Para reducir el riesgo de explosión de la batería, siga estas instrucciones y las publicadas por el fabricante de la batería y el fabricante de cualquier equipo que tenga la intención de utilizar cerca de la batería. Revise las indicaciones sobre precauciones en estos productos y en el motor.

▲ PRECAUCIÓN – PARA REDUCIR EL RIESGO DE LESIONES O DAÑO A LA PROPIEDAD:

- NUNCA INTENTE ARRANCAR MEDIANTE PUENTE NI CARGAR UNA BATERÍA CONGELADA.
- Los vehículos que tienen sistemas computarizados incorporados pueden resultar dañados si la batería del vehículo se arranca mediante puente. Antes de arrancar mediante puente, lea el manual del cliente del vehículo para confirmar que la ayuda externa para arrancar es adecuada.
- Nunca fume o permita que haya una chispa o llama cerca de la batería, el motor o la central de energía.
- Manténgase alejado de las paletas de ventilador, correas, poleas y otras partes que pueden provocar lesiones a las personas.
- Quite los elementos personales metálicos, como anillos, pulseras, collares y relojes cuando trabaja con una batería de plomo-ácido. Una batería de plomo-ácido puede producir un cortocircuito con bastante corriente como para soldar un anillo u objeto metálico similar a la piel y provocar una quemadura grave.
- No use ropa de vinilo cuando arranque un vehículo mediante puente. La fricción puede provocar chispas peligrosas a causa de la electricidad estática.
- Tenga mucho cuidado de no dejar caer una herramienta de metal sobre la batería. Puede ser que produzca chispas o un cortocircuito en la batería o en otra parte eléctrica y podría causar una explosión.
- Almacene siempre las pinzas de la batería cuando no se usa. Nunca toque las pinzas de la batería entre sí. Esto puede generar chispas peligrosas, arcos eléctricos o explosión.
- Cuando use esta unidad cerca de la batería y el motor del vehículo, coloque la unidad sobre una superficie plana y estable, y asegúrese de mantener todas las pinzas, los cables, la ropa y las partes del cuerpo alejados de los elementos móviles del vehículo.
- Nunca deje que las pinzas roja y negra se toquen entre sí o con otro conductor metálico común, esto podría provocar daños a la unidad o crear un riesgo de chispas/explosión.
 - a) Para los sistemas con negativo a tierra, conecte la pinza del positivo (roja) al borne sin conexión a tierra de la batería y la pinza del negativo (NEGRA) al bastidor del vehículo o al bloque del motor, lejos de la batería. No conecte la pinza al carburador, las cañerías de combustible o a las piezas de chapa de la carrocería. Conecte a una pieza de metal sólida del bastidor o del bloque del motor.

- b) Para los sistemas con positivo a tierra, conecte la pinza del negativo (negra) al borne sin conexión a tierra negativo de la batería y la pinza del positivo (roja) al bastidor del vehículo o al bloque del motor, lejos de la batería. No conecte la pinza al carburador, las cañerías de combustible o a las piezas de chapa de la carrocería. Conecte a una pieza de metal sólida del bastidor o del bloque del motor.

- Si las pinzas están conectadas incorrectamente con respecto a polaridad, la pantalla LCD retroiluminada mostrará
- El icono de estado de la batería, el indicador de voltaje de la batería y los iconos de las pinzas. El icono de alarma, los signos "+" y "-" y los iconos de polaridad inversa parpadearán y la unidad emitirá una alarma continua hasta que se desconecten las pinzas. Desconecte y vuelva a conectar las pinzas de la batería con la polaridad correcta.
- Siempre desconecte primero el cable del puente del negativo (negro) y luego el cable del puente del positivo (rojo), excepto para los sistemas con positivo a tierra.
- No exponga la batería al fuego o a un calor intenso, porque puede explotar. Antes de eliminar la batería, proteja los terminales expuestos con cinta aislante para trabajo pesado para evitar cortocircuitos (un cortocircuito puede producir lesiones o incendio).
- Coloque esta unidad lo más lejos posible de la batería que los cables permitan.
- Nunca permita que el ácido de la batería entre en contacto con esta unidad.
- No opere esta unidad en un área cerrada ni restrinja la ventilación de alguna forma.
- Este sistema está diseñado para ser utilizado únicamente en vehículos con sistema de batería de CC de 12 voltios. No lo conecte a un sistema de batería de 6 o 24 voltios.
- Este sistema no está diseñado para ser utilizado en reemplazo de una batería de vehículo. No intente hacer funcionar un vehículo que no tenga la batería instalada.
- El exceso de revoluciones del motor puede dañar el mecanismo de arranque de un vehículo. Si el motor no arranca después de la cantidad recomendada de intentos, abandone los procedimientos de arranque mediante puente y busque otros problemas que deban solucionarse.
- No utilice este puente auxiliar de arranque en una moto de agua. No fue diseñado para prácticas marinas.
- Si bien esta unidad contiene una batería que no derrama, se recomienda que la unidad se conserve parada durante el almacenamiento, el uso y la recarga. Para evitar daños posibles que puedan acortar la duración de la unidad, protéjala de la luz solar directa, el calor directo o la humedad.

INSTRUCCIONES DE SEGURIDAD ESPECÍFICAS PARA INVERTIDORES

▲ ADVERTENCIA – PARA REDUCIR EL RIESGO DE DESCARGA ELÉCTRICA:

- No conecte al cableado de distribución de CA.
- No realice conexiones o desconexiones eléctricas en áreas designadas como PROTEGIDAS CONTRA IGNICIÓN. Esta unidad NO está aprobada para áreas protegidas contra ignición.
- Nunca sumerja la unidad en el agua ni en ningún otro líquido, ni la utilice cuando esté húmeda.

▲ ADVERTENCIA – PARA REDUCIR EL RIESGO DE INCENDIO:

- No opere cerca de materiales, vapores o gases inflamables.
- No lo exponga al calor extremo o a las llamas.

▲ PRECAUCIÓN – PARA REDUCIR EL RIESGO DE LESIONES O DAÑO A LA PROPIEDAD:

- Desconecte el enchufe de la aplicación del enchufe del convertidor antes de intentar cualesquiera reparaciones a la aplicación.
- Cuando un artefacto conectado a esta unidad se usa al aire libre, utilice sólo cables de extensión diseñados para uso en exteriores y marcado.
- No intente conectar el inversor mientras que funciona su vehículo. El hecho de no prestar atención a la carretera puede tener como consecuencia un accidente grave.
- Siempre utilice el convertidor en lugares adecuadamente ventilados.
- Apague siempre el convertidor cuando es parado.
- Tenga en cuenta que este convertidor no funcionará con aparatos o equipos de alta potencia en vatios que produzcan calor, como secadores de cabello, hornos de microondas y tostadores.
- No utilice este convertidor con dispositivos médicos. No se ha comprobado su funcionamiento en aplicaciones médicas.

- Opere la unidad solamente como se describe en este manual de instrucciones.

INSTRUCCIONES DE SEGURIDAD ESPECÍFICAS PARA EL PUERTO USB

- No introduzca objetos extraños dentro del puerto USB.
- No conecte un concentrador USB y no conecte más de un dispositivo electrónico personal al puerto USB.
- Una cierta electrónica USB-accionada hogar no funcionará con esta unidad.

INSTRUCCIONES DE SEGURIDAD ESPECÍFICAS PARA COMPRESORES

▲ PRECAUCIÓN – PARA REDUCIR EL RIESGO DE LESIONES O DAÑO A LA PROPIEDAD: Nunca deje el compresor sin supervisión mientras se está usando.

▲ ADVERTENCIA, PELIGRO DE ESTALLIDO: Los artículos que estallan pueden provocar lesiones graves.

- Siga cuidadosamente las instrucciones en los artículos de ser inflado.
- Nunca exceda la presión recomendada enumerada en instrucciones en los artículos de ser inflado. Si no se da ninguna presión, contacto con el fabricante del artículo antes de inflar.
- Supervise la presión siempre sobre el calibrador de presión.

▲ PRECAUCIÓN – PARA REDUCIR EL RIESGO DE DAÑO A LA PROPIEDAD:

No funcione el aparato para inflar con aire continuamente por más de largo que aproximadamente 10 minutos, dependiendo de temperaturas ambiente, como puede recalentarse. Esto podría dañar el compresor.

PRIMEROS AUXILIOS

Cuando trabaje con baterías de plomo-ácido, asegúrese de que siempre haya ayuda inmediata disponible en caso de accidente o emergencia.

Utilice siempre protección para los ojos al emplear este producto; el contacto con el ácido de la batería puede producir ceguera o quemaduras graves. Conozca los procedimientos de primeros auxilios para el caso de contacto accidental con el ácido de la batería.

Quite los elementos personales metálicos, como anillos, pulseras, collares y relojes cuando trabaja con una batería de plomo-ácido. Una batería de plomo-ácido puede producir un cortocircuito con bastante corriente como para soldar un anillo u objeto metálico similar a la piel y provocar una quemadura grave.

Tenga al alcance mucha agua potable y jabón en el caso de que el ácido de la batería entre en contacto con la piel.

- **Piel:** Si el ácido de la batería entra en contacto con la piel, enjuáguese inmediatamente con agua, luego lávese con agua y jabón. Si se presenta enrojecimiento, dolor o irritación, busque asistencia médica de inmediato.
- **Ojos:** Si el ácido de la batería entra en contacto con los ojos, lávese los ojos inmediatamente durante 15 minutos como mínimo y busque asistencia médica de inmediato.
- **Indicador de cristal líquido del LCD:** Si es líquido el cristal viene en contacto con su piel: Lave el área apagado totalmente con el un montón de agua. Quite la ropa contaminada. Si es líquido el cristal consígue en su ojo: Limpie el ojo con un chorro de agua afectado con agua limpia y después busque la atención médica. Si es líquido se traga el cristal: Limpie su boca con un chorro de agua a fondo con agua. Beba las cantidades grandes de agua e induzca vomitar. Entonces busque la atención médica.

CONSERVE ESTAS INSTRUCCIONES

INTRODUCCIÓN

Felicitaciones por adquirir su nuevo **Black + Decker® fuente de energía profesional digital**. Lea el manual de instrucción y siga las instrucciones cuidadosamente antes de utilizar esta unidad.

DESCRIPCIÓN GENERAL

Acciones comunes y respuestas de la unidad

Presione el botón de encendido de la luz de área LED.	Sonará un bip y la luz de área LED se encenderá. La retroiluminación se encenderá durante 10 segundos (sólo). La pantalla LCD continuará mostrando el estado de la batería y el indicador de tensión. La luz de área LED permanece encendido hasta que se desactive.
Presione el botón de estado de la batería.	Sonará un bip y la pantalla retroiluminada LCD mostrará el estado de la batería y el indicador de voltaje durante 10 segundos antes de que la unidad se apaga automáticamente.
Pulse el botón de encendido de CC/USB.	Sonará un pitido y la pantalla LCD retroiluminada mostrará el icono de estado de la batería y el icono USB; la pantalla digital mostrará "CC", indicando el valor de CC La salida y el puerto de carga USB doble están listos para usar. La unidad permanece encendida hasta que la alimentación CC/USB El botón se pulsa de nuevo para apagar ambos.
Presione el botón con./desc. (power) del compresor.	Sonará un pitido y la pantalla LCD retroiluminada mostrará el estado de la batería y el icono de compresor; y alternativamente el valor parpadeante preestablecido psi (que se estableció último utilizando los botones de control de presión del compresor) y la presión actual del artículo que siendo inflado (que se iluminará sostenidamente). Si no se toman medidas adicionales, después de 1 minuto, la unidad mostrará el estado de la batería y el indicador de tensión durante 10 segundos antes de apagarse automáticamente.
Siempre que las pinzas estén conectadas correctamente a una batería (consulte la sección "Puente Auxiliar de Arranque") sonará un pitido y la pantalla LCD retroiluminada mostrará el icono de estado de la batería, el indicador de voltaje de la batería, los iconos de abrazadera y los signos "+" y "-"; así como el icono de arranque rápido intermitente. La unidad permanece encendida hasta que las abrazaderas se desconectan de la batería.
Si el interruptor de encendido del Jump Starter se gira a la posición de encendido y las pinzas no están conectadas a una batería (consulte la sección "Puente Auxiliar de Arranque")... una advertencia de dos segundos sonará cada 10 segundos. La pantalla LCD retroiluminada mostrará el icono de estado de la batería, el indicador de voltaje de la batería, los iconos de las abrazaderas y el icono de estado de la batería. Signos "+" y "-". El icono de alarma y el icono de arranque de salto parpadearán. La unidad permanece encendida hasta que se apaga el interruptor de alimentación del Jump Starter y luego muestra el icono de estado de la batería y el voltaje de la pantalla digital durante 10 segundos antes del apagado automático.
Si se invierten las conexiones de pinza de bornes positivo y negativo de la batería la pantalla LCD retroiluminada mostrará el icono de estado de la batería, el indicador de voltaje de la batería y los iconos de abrazadera. El icono de alarma, los signos "+" y "-" y los iconos de polaridad inversa parpadearán y la unidad sonará continuamente hasta que las pinzas estén desconectados de la batería.

Cuando la unidad se está cargando o recarga mediante el cargador de 120 voltios de CA incorporado ...

... la retroiluminación se encenderá durante 10 segundos (sólo). La pantalla LCD continuará mostrando el icono de estado de la batería e indicador de voltaje de la batería. Las barras del icono de la batería cambiará de vacía a sólido (de abajo hacia arriba) repetidamente.

Nota: La unidad se apagará automáticamente una vez que todas las funciones están desactivadas.

VIENDO EL ESTADO DE LA BATERÍA

Para comprobar el nivel de carga de la batería de la unidad, pulse el botón del estado de la batería. El icono de la batería indica el nivel de carga de la batería de la siguiente manera:

- Si el nivel de carga de la batería está a plena capacidad, cuatro barras sólidas se muestran.
- Si la batería está parcialmente cargada, dos o tres barras sólidas se mostrarán.
- Si la batería está casi agotada, se mostrará una barra sólida. La unidad debe cargarse en este momento.
- Si la batería está completamente vacía, se mostrarán cuatro barras en blanco. La unidad DEBE cargarse en este momento o se activará la protección de baja tensión incorporada en la unidad. El icono de estado de la batería vacía parpadeará durante un corto período de tiempo antes del apagado automático. La unidad no funcionará hasta que se recargue la batería.

CARGAR/RECARGAR

Las baterías de plomo-ácido requieren mantenimiento de rutina para asegurar una carga completa y una mayor duración de la batería. Todas las baterías pierden energía por descarga espontánea, se descargan con el paso del tiempo, y con mayor rapidez cuando están a temperaturas más altas. Por lo tanto, las baterías necesitan ser cargadas periódicamente para reemplazar la energía perdida por descarga espontánea. Cuando la unidad no se usa, fabricante recomienda que se debe ser recargada la batería al menos cada 30 días y después de cada uso.

IMPORTANTE: Si usted intenta utilizar la unidad cuando el nivel de la carga de la batería de la unidad es demasiado bajo, la unidad cerrará automáticamente. Recargue la unidad con el resto de las funciones apagadas cuanto antes.

Notas: Esta unidad se entrega en un estado parcialmente cargado - usted debe cargarlo completamente antes de usarlo para la primera vez. La carga inicial de la CA debe ser por 40 horas.

Recargar la batería luego de cada uso prolongará la vida de la batería; las descargas importantes frecuentes entre recargas o el cargarla en exceso reducirán la duración de la batería.

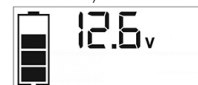
Cerchiórese de que el resto de las funciones de unidad estén apagadas durante la recarga, pues ésta puede retardar el proceso de recarga.

▲ PRECAUCIÓN – PARA REDUCIR EL RIESGO DE DAÑO A LA PROPIEDAD: Si no se mantiene la batería cargada puede causar daños permanentes y resultar en un pobre rendimiento de arranque.

IMPORTANTE: Si usted sabe que la unidad se descarga, pero el icono de la batería muestra cuatro barras sólidas, como si la unidad está totalmente cargada cuando se conecta a una fuente de alimentación de carga, esto puede ser debido a la batería interna que tiene una alta impedancia. El fabricante sugiere salir de la unidad de carga por un período de 40 horas usando el cargador de CA incorporado antes de su uso.

Cargar/recargar con el cargador de incorporado 120V CA y el cable de extensión CA (no incluido)

1. Levante la cubierta protectora del cargador incorporado 120 voltios CA situado en la parte frontal inferior izquierda de la unidad (consulte la sección Características de localizar). Conecte un cable de extensión de la unidad. Conecte el otro extremo del cable a una toma de corriente CA estándar de 120 voltios. Cuando la unidad esté bien conectado a una fuente de alimentación de CA, la pantalla LCD mostrará lo siguiente (la pantalla será retroiluminado):



Las barras en el icono de la batería representan el nivel de la capacidad de la batería interna de la unidad. Después de 10 segundos, la retroiluminación se apagará.

Las barras en el icono de la batería cambiarán de vacío al sólido (parte inferior a la tapa) en varias ocasiones.

2. Carga por aproximadamente 40 horas o hasta que el icono de la batería demuestra 4 barras sólidas.
3. Cuando la carga esté completa, desconecte el cable de extensión de CA del tomacorriente de CA y, a continuación, desconecte el cable de la unidad.

Nota: La unidad no puede sobrecargarse usando este método.

PUENTE AUXILIAR DE ARRANQUE

Esta unidad se equipa de un botón con./desc. (power) del puente auxiliar de arranque que permita que fluya la energía solamente cuando las conexiones apropiadas se hacen a la batería y al marco.

1. Para los sistemas con negativo a tierra, conecte la pinza del positivo (roja) al borne sin conexión a tierra de la batería y la pinza del negativo (NEGRA) al bastidor del vehículo o al bloque del motor, lejos de la batería. No conecte la pinza al carburador, las cañerías de combustible o a las piezas de chapa de la carrocería. Conecte a una pieza de metal sólida del bastidor o del bloque del motor.
2. Para los sistemas con positivo a tierra, conecte la pinza del negativo (negra) al borne sin conexión a tierra negativo de la batería y la pinza del positivo (roja) al bastidor del vehículo o al bloque del motor, lejos de la batería. No conecte la pinza al carburador, las cañerías de combustible o a las piezas de chapa de la carrocería. Conecte a una pieza de metal sólida del bastidor o del bloque del motor.

IMPORTANTE: Asegúrese de que el botón de alimentación del compresor se ha apagado antes de intentar utilizar la unidad como un puente auxiliar de arranque.

▲ ADVERTENCIA – PARA REDUCIR EL RIESGO DE LESIONES O DAÑO A LA PROPIEDAD:

- Siga todas las instrucciones de seguridad encontradas en la sección de las "Instrucciones de seguridad específicas para auxiliares de arranque" de este manual de la instrucción.
- Nunca toque entre sí las pinzas roja y negra de la batería: esto puede provocar chispas peligrosas, arco eléctrico o explosión.
- Si las pinzas están conectados incorrectamente con respecto a la polaridad, la unidad sonará una alarma continua hasta que las pinzas estén desconectados. La pantalla LCD mostrará el icono de estado de la batería, el indicador de voltaje de la batería y los iconos de pinzas. Los signos "+" y "-" por encima de los iconos de pinzas, los iconos de polaridad inversa y el icono de la alarma parpadeará. La pantalla LCD retroiluminada mostrará siguiente:



▲ PRECAUCIÓN: La unidad sufrirá daños permanentes si el Interruptor del puente auxiliar de arranque se enciende mientras que las pinzas conectadas con la polaridad inversa. Desconecte y vuelva a conectar las pinzas a la batería con la polaridad correcta.

- Si el interruptor del puente auxiliar de arranque se encuentre encendido y la unidad detecta que las pinzas no están conectadas a una batería, una advertencia de dos segundos sonará cada 10 segundos. La pantalla LCD retroiluminada mostrará el icono de estado de la batería, indicador de voltaje de la batería, los iconos de pinzas, y los signos "+" y "-". El icono de alarma y el icono del puente auxiliar de arranque parpadearán. La pantalla LCD retroiluminada mostrará siguiente:



- Apague el interruptor del puente auxiliar de arranque; conectar las pinzas a la batería, asegurándose de que las pinzas están conectados con la polaridad correcta; luego gire el interruptor del puente auxiliar de arranque de encendido de nuevo.
- Siempre desconecte primero el cable del puente del negativo (negro) y luego el cable del puente del positivo (rojo), excepto para los sistemas con positivo a tierra.

Procedimiento

Tome las medidas siguientes, observando todas las precauciones y advertencias en la sección de las "instrucciones de seguridad importantes" en el frente de este manual.

1. Apague la ignición del vehículo y todos los accesorios (radio, aire acondicionado, luces, cargadores de teléfono celular conectados, etc.). Ubique el vehículo en "estacionar" y coloque el freno de emergencia.
2. Asegúrese de que el interruptor de encendido del puente auxiliar de arranque está en la posición de apagado.
3. Retire las pinzas del puente de sus respectivas lengüetas. Conecte primero la pinza roja, luego la pinza negra.
4. **Procedimiento para arrancar mediante puente un SISTEMA CON NEGATIVO A TIERRA (el terminal de la batería está conectado al bastidor) (LO MÁS COMÚN)**
 - 4a. Conecte la pinza roja del positivo (+) al terminal del positivo de la batería del vehículo.
 - 4b. Conecte la pinza negra del negativo (-) al bastidor o a un componente metálico no móvil y sólido, o una parte de la carrocería. Nunca fije la pinza directamente al terminal del negativo de la batería o a una pieza móvil. Refiera al manual del dueño del automóvil.
5. **Procedimiento para arrancar SISTEMAS CON POSITIVO A TIERRA**

Nota: En el caso poco habitual de que el vehículo que se debe arrancar tenga un sistema de positivo a tierra (el terminal positivo de la batería está conectado al bastidor), reemplace los pasos 4a y 4b anteriores con los pasos 5a y 5b, luego continúe con el paso 6.

 - 5a. Conecte la pinza negra del negativo (-) al terminal del negativo de la batería del vehículo.
 - 5b. Conecte la pinza roja del positivo (+) al bastidor del vehículo o a un componente metálico no móvil y sólido, o una parte de la carrocería. Nunca fije la pinza directamente al terminal del positivo de la batería o a una pieza móvil. Refiera al manual del dueño del automóvil.
6. Cuando las pinzas están conectadas correctamente, la pantalla LCD retroiluminada demostrará que lo que sigue para indicar que la unidad está lista para arrancar el motor:



El icono de estado de la batería, el indicador del voltaje de la batería, los iconos de pinzas y los signos "+" y "-" se iluminan sólidamente. El icono del puente auxiliar de arranque se parpadeará para indicar que las pinzas están conectadas correctamente.

7. **Encienda el Interruptor de Encendido.** Encienda la ignición y acelere el motor en etapas de 5 a 6 segundos hasta que arranque. La pantalla LCD retroiluminada mostrará siguiente:



El icono de estado de la batería, el indicador del voltaje de la batería, los iconos de pinzas y los signos "+" y "-" se iluminan sólidamente para indicar que la unidad está de iniciar la batería. El icono del Arrancador parpadea. El icono del Arrancador se ilumina sólido si el vehículo está arrancado.

8. Coloque el interruptor de encendido del puente auxiliar de arranque en la posición de apagado (off) nuevamente.
9. Desconecte la pinza del negativo (-) del motor o bastidor primero y luego desconecte la pinza del positivo (+) de la batería.

IMPORTANTE: Siempre apague la unidad cuando no está en uso. Vuelva a cargar la unidad completamente después de cada uso.

⚠ PRECAUCIÓN – PARA REDUCIR EL RIESGO DE DAÑO A LA PROPIEDAD:

- Los vehículos que tienen sistemas computarizados incorporados pueden resultar dañados si la batería del vehículo se arranca mediante puente. Antes de arrancar mediante puente este tipo de vehículo, lea el manual del vehículo para confirmar que se aconseja ayuda externa para arrancar.
- El exceso de revoluciones del motor puede dañar el mecanismo de arranque del vehículo. Si el motor no arranca después de la cantidad recomendada de intentos, abandone el procedimiento de arranque mediante puente y busque otros problemas que puedan ser solucionados.

- Si el vehículo no arranca, apague la ignición, coloque el interruptor de encendido del puente auxiliar de arranque en la posición de apagado, desconecte los conductores del puente auxiliar de arranque y comuníquese con un técnico calificado para investigar por qué no arrancó el motor.

LUZ DE ÁREA LED

La luz de área LED incorporada del tres LEDs es controlada por el botón de encendido de la luz de área en el panel de control (refiera a la sección de las características para localizar). Presione el botón de encendido de la luz de área una vez encender la luz. Presione el botón de encendido de la luz de área nuevamente para apagar la luz zonal.

IMPORTANTE: Cuando se pulsa el botón de encendido luz de área para encenderlo, sonará un pitido. La pantalla retroiluminada LCD se encenderá durante 10 segundos (solamente) y luego mostrará continuamente el icono de estado de la batería e indicador de voltaje de la batería.

Compruebe periódicamente el estado de la batería de la unidad en la pantalla LCD retroiluminada. Cuatro barras sólidas en el icono de batería indican que la batería está llena. Cuando el nivel de la batería está casi vacío con sólo una barra sólida o completamente vacío con 4 barras vacías, la unidad debe recargarse en este momento o se activará la protección de baja tensión incorporada en la unidad. El icono de estado de la batería vacía parpadeará durante un corto período de tiempo antes del apagado automático.

Cerciórese de que la luz de área y la unidad estén dadas vuelta de cuando se está recargando o se está almacenando la unidad.

FUENTES DE ENERGÍA PORTÁTIL DE 120 V CA

Consumo de corriente real versus calificado del equipo

La mayoría de las herramientas eléctricas, los aparatos, los dispositivos electrónicos y los equipos visuales/de audio poseen etiquetas que indican el consumo de energía en amperios o vatios. Asegúrese de que el consumo de energía del artículo que desee operar sea menor a 500 vatios. Si el consumo de energía se clasifica en CA de amperios, simplemente multiplique por los voltios de CA (120) para determinar la vataje.

La unidad puede transportar las cargas resistivas con más facilidad. No obstante, las cargas resistivas más grandes, como estufas o calentadores eléctricos, generalmente requieren más potencia en vatios de la que puede suministrar la unidad en forma continua. Las cargas inductivas, como televisores y estéreos, requieren más corriente para funcionar que las cargas resistivas de la misma clasificación de potencia en vatios.

⚠ PRECAUCIÓN: Dispositivos recargables

- Algunos dispositivos recargables están diseñados para cargarse al ser enchufados directamente en un tomacorriente de CA. Estos dispositivos pueden dañar el inversor o el circuito que se está cargando.
- Al utilizar un dispositivo recargable, supervise la temperatura durante los primeros 10 minutos de uso para determinar si genera calor en exceso.
- Si produce calor en exceso, esto indica que el dispositivo no debe utilizarse con este inversor.
- Este problema no se presenta con la mayoría de los equipos operados con batería. La mayoría de estos dispositivos utiliza un cargador o transformador por separado que está enchufado en un tomacorriente de CA.
- El inversor puede funcionar con la mayoría de los cargadores y transformadores.

Note: Algunas computadoras portátiles no funcionan con este inversor.

La forma de onda de salida del inversor eléctrico

La forma de onda de la salida de CA de este inversor se conoce como una onda senoidal modificada. Es una forma de onda escalonada que posee características similares a la forma de onda senoidal de la electricidad. Este tipo de forma de onda es adecuado para la mayoría de las cargas de CA, incluidas las fuentes de energía por conmutación y lineales utilizadas en equipos electrónicos, transformadores y motores pequeños.

Características de protección

El inversor supervisa las siguientes condiciones:

Voltaje interno bajo de la batería	El inversor cerrará automáticamente cuando las caídas de voltaje de la batería demasiado bajas, como esto pueden dañar la batería.
Alto voltaje interno de la batería	El inversor cerrará automáticamente cuando el voltaje de la batería es demasiado alto, pues éste puede dañar la unidad.
Protección de apagado térmico	El inversor se apagará automáticamente cuando la unidad se sobrecaliente.
Protección contra cortocircuitos o sobrecargas	El inversor se apagará automáticamente en presencia de un cortocircuito o sobrecargas.

NOTAS IMPORTANTES:

Los tomacorrientes de CA proporciona un consumo total de energía de 500W.

Cuando los tomacorrientes CA están en uso, la unidad vigilará para las siguientes condiciones de fallo: batería alta o baja, fallo térmico, fallo en la tensión de la batería, sobrecarga y cortocircuito (consulte la sección "Características de protección").

1. Si existe un fallo de baja voltaje de la batería interna en los tomacorrientes CA, los tomacorrientes CA se apagará automáticamente y la pantalla LCD retroiluminada se mostrará lo siguiente hasta que se corrija la falla:



2. Si existe un fallo de alta voltaje de la batería interna en el tomacorriente CA, el tomacorriente CA y la USB se apagará automáticamente y la pantalla LCD retroiluminada se mostrará lo siguiente hasta que se corrija la falla:



3. Si existe un fallo térmico, cortocircuitos o sobrecargas en el tomacorriente CA, el tomacorriente CA se apagará automáticamente y la pantalla LCD retroiluminada se mostrará lo siguiente hasta que se corrija la falla:



El icono de estado de la batería se encenderá de forma sólida; y "AC/USB" en la pantalla digital y el icono de fallo en la pantalla LCD parpadearán.

En caso de que se produzca alguna de las condiciones de falla anteriores:

1. Desconecta el dispositivo de la unidad.
2. Pulse el botón de alimentación de CA para desactivar el tomacorriente CA.
3. Asegúrese de que la unidad no necesita ser recargada.
4. Deje que la unidad se enfríe durante varios minutos.
5. Asegúrese de que la calificación del aparato conectado a la unidad es de 500 vatios o más bajas y que el cable del aparato y el enchufe no estén dañados.
6. Asegurar que haya suficiente ventilación alrededor de la unidad antes de continuar.

Usando los tomacorrientes de 120 voltios CA

Los tomacorrientes de CA de 120 voltios se encuentra en la parte frontal de la unidad. Los tomacorrientes admiten un consumo de energía máximo de 500 vatios.

1. Pulse el botón de alimentación de CA para encender el tomacorriente de 120 voltios CA. Sonará un pitido y la pantalla LCD mostrará el siguiente:



El icono de estado de la batería y la pantalla digital muestra "AC" y el icono USB, que indica la toma de CA está listo para usar.

2. Inserte el enchufe de la CA de 120 voltios del aparato en una del tomacorriente de CA.
3. Encienda el aparato y operar como de costumbre.

Nota: Asegúrese de que la potencia del equipo conectado a la toma de corriente de 120V CA no exceda los 500 vatios continuos.
4. Presione el botón de alimentación de "AC/USB" nuevamente para apagar el tomacorriente de 120V CA.

Compruebe periódicamente el estado de la batería de la unidad en la pantalla del LCD. Cuatro barras sólidas en el icono de la batería indican una batería llena. Cuando el nivel de la batería está casi vacía con sólo una única de barras sólidas o 4 bares vacíos, la unidad debe ser recargada en este momento o protección integrada de baja tensión de la unidad se activará. El icono de estado de la batería vacía parpadeará para un corto período de tiempo antes de apagado automático.

IMPORTANTE: Asegúrese de que los tomacorrientes de CA esté apagada cuando la unidad se está recargando o almacenando.

FUENTE DE ENERGÍA PORTÁTIL DE 12V CC

La fuente de CC de 12 voltios está situada bajo cubierta protectora en el frente de la unidad. Refiera a la ilustración de las características en la página 2 para localizar. Esta fuente de energía portátil también se puede usar con accesorios de CC de 12V equipados con un enchufe macho y que está indicado hasta 5A.

1. Levante la tapa del tomacorriente de CC de 12V de la unidad.
2. Inserte el enchufe de CC de 12V del aparato en el tomacorriente para accesorios de 12V de la unidad. NO EXCEDA UNA CARGA DE 5 AMPERIOS.
3. Encienda el aparato y opérela como de costumbre.
4. Compruebe periódicamente el estado de la batería de la unidad en la pantalla del LCD por pulsando el botón Estado de la batería. (Cuatro barras sólidas en el icono de la batería indican una batería llena. Una barra sólida indica que la unidad necesita ser recargada.)

PUERTO DE CARGA DEL USB

El puerto de carga del USB está bajo misma cubierta protectora que el tomacorriente para accesorios de 12 V. Refiera a la sección de las características para localizar.

1. Presione el botón de alimentación CC/USB para activar el puerto de carga USB. Sonará un pitido y la pantalla LCD retroiluminada se mostrará continuamente los siguientes:



- El icono del "5V USB" indica que el puerto del USB es listo para utilizar.
2. Tape el dispositivo USB-accionado en el puerto de la energía del USB del inversor y funcione normalmente.

El puerto de alimentación USB permanece encendida hasta que se vuelve a pulsar el botón de la energía del "AC/USB" para apagarla. Asegúrese de que el botón de alimentación USB se encuentra en la posición de apagado cuando la unidad se está recargando o almacenada.

NOTAS IMPORTANTES:

Cuando el puerto USB está en uso, la unidad controlará las siguientes condiciones de fallo USB en el puerto USB: fallo de baja tensión de la batería, sobrecarga y cortocircuito.

Si existe una condición de falla por bajo voltaje de la batería interna, el puerto USB y los tomacorrientes de CA se apagará automáticamente y

la pantalla LCD retroiluminada mostrará lo siguiente hasta que se corrija la falla:



La pantalla digital mostrará el indicador de voltaje de la batería; el icono de estado de batería vacía y el icono de falla en la pantalla LCD parpadearán.

Si existe una condición de sobrecarga o fallo de cortocircuito, el puerto USB y las tomacorrientes de CA se apagarán automáticamente y la pantalla LCD retroiluminada mostrará lo siguiente hasta que se corrija el fallo:



El icono de estado de la batería se iluminará; el icono "AC" y USB de la pantalla digital y el icono de fallo de la pantalla LCD parpadearán.

En caso de que se produzca alguna de las condiciones de fallo anteriores:

- Desconecte el dispositivo alimentado por USB y pulse de nuevo el botón de alimentación AC/USB para apagarlo inmediatamente.
- Deje que la unidad se enfríe durante varios minutos antes de intentar utilizar el puerto USB de nuevo.
- Si vuelve a ocurrir un fallo, asegúrese de que el consumo total del dispositivo USB conectado al puerto USB no exceda de 2.1A.
- Si un dispositivo USB individual está dentro de las especificaciones y se produce el fallo, haga que el dispositivo USB se ha comprobado si hay algún fallo de funcionamiento y no se puede seguir utilizando con el puerto USB.

Compruebe periódicamente el estado de la batería de la unidad en la pantalla LCD retroiluminada. Cuatro barras sólidas en el icono de batería indican que la batería está llena. Cuando el nivel de la batería está casi vacío con sólo una barra sólida o completamente vacío con 4 barras vacías, la unidad debe recargarse en este momento o se activará la protección de baja tensión incorporada en la unidad. El icono de estado de la batería vacía parpadeará durante un corto período de tiempo antes del apagado automático.

Nota: Los puertos de la energía del USB de esta unidad NO admiten comunicación de datos. Sólo proporcionan un máximo de energía de 5 voltios CC/2.1A a un dispositivo eléctrico USB externo.

COMPRESOR PORTÁTIL

El compresor incorporado de CC de 12 voltios es el compresor de última generación para los neumáticos de todos los vehículos, remolques y artículos inflables para recreación. Un adaptador de la boquilla se suministra que los tornillos en el extremo de la boquilla Sure Fit® en el extremo libre de la manguera del compresor. La manguera del compresor con montaje de los neumáticos se almacena en el compartimiento de almacenamiento (consulte la sección "Características" para localizar). El botón de alimentación del compresor y botones para aumentar (+) y disminuir (-) la presión del compresor están localizados en el panel de control en la parte frontal de la unidad.

Antes de continuar, compruebe el estado de la batería de la unidad en la pantalla LCD. Cuatro barras sólidas en el icono de la batería indica una batería llena. Cuando el nivel de la batería está casi vacío con sólo una barra sólida, la unidad se debe recargar antes de usar o protección integrada de baja tensión de la unidad se activará. El icono de estado de la batería vacía parpadeará para un corto período de tiempo antes de apagado automático. En cualquier caso, el compresor se apagará automáticamente después de funcionar continuamente durante 10 minutos.

El compresor es capaz de inflar hasta 120 libras por la presión de la pulgada cuadrada (PSI). El compresor puede funcionar lo suficiente para llenar hasta 3 neumáticos de medida promedio antes de tener que recargar la batería. Vuelva a colocar la manguera en el compartimiento de almacenamiento después del uso.

IMPORTANTE: Asegúrese de que el interruptor del puente auxiliar de arranque se ha apagado antes de intentar utilizar la unidad como un compresor.

⚠ ADVERTENCIA – PARA REDUCIR EL RIESGO DE LESIONES GRAVES O DAÑOS MATERIALES. Siga todas las instrucciones de seguridad encontradas en la sección de las "instrucciones de seguridad específicas para compresores" de este manual de la instrucción.

⚠ PRECAUCIÓN – PARA REDUCIR EL RIESGO DE DAÑOS MATERIALES: Cuando el compresor es operado a un PSI baja, la unidad puede comenzar a baja y acelerar gradualmente. Cuando el compresor es operado a más alto PSIs, la unidad puede funcionar normalmente durante varios minutos, luego decelerar durante unos minutos antes de volver a la operación normal. Esta característica protege la unidad del sobrecalentamiento durante uso normal. En cualquier caso, no haga funcionar el compresor de forma continua durante más de 10 minutos, ya que se puede sobrecalentar. Esto podría dañar el compresor. Si el compresor debe funcionar durante más tiempo: cada 10 minutos, pulse el botón de encendido para encender compresor del compresor, a continuación, reiniciar después de un periodo de enfriamiento de aproximadamente 30 minutos.

Cómo inflar neumáticos o productos con vástagos de válvulas

1. Atornille la boquilla Sure Fit® en el vástago de la válvula. No apriete demasiado.
2. Presione el botón de alimentación del compresor. Sonará un pitido y la pantalla LCD retroiluminada demostrará siguiente:



El icono del compresor se encenderá y la pantalla LCD retroiluminada mostrará alternativamente el preajustado valor psi que parpadea (el último valor introducido por los botones de control de presión del compresor) y la actual psi presión del artículo al ser inflado (que se ilumina sólido).

3. Presione los botones "+" y "-" de control de presión para ajustar la presión deseada entre una gama de valores predefinidos (entre 3 y 120), que se mostrará en la pantalla LCD retroiluminada. La unidad emitirá un pitido cada vez que pulsa los botones (sosteniendo el botón acelera la selección de valor hacia arriba o hacia abajo). Una vez que se ha entrado en la presión deseada, suelte el botón y la pantalla LCD retroiluminada intermitente mostrará la nueva presión seleccionada, de la siguiente manera:



El valor seleccionado nuevo se guarda en la memoria de la unidad hasta que se resetea manualmente.

4. Presione el botón de alimentación del compresor una vez más para comenzar a inflar. El icono del compresor parpadea y la pantalla digital sólo se mostrará el valor de la presión actual (que se ilumina sólido) para indicar que el compresor se activa. Supervise la presión sobre la pantalla del LCD.
- NOTA IMPORTANTE:** Para interrumpir durante el inflado, pulse el botón de alimentación del compresor una vez más.
5. Cuando se alcance la presión predefinido deseada, el compresor parará automáticamente.
6. Pulse el botón de alimentación del compresor para apagar la unidad.
7. Desatornille y retire el conector de la boquilla Sure Fit® desde el vástago de la válvula.
8. Permita que la unidad se refresque, después recargue antes de almacenarla.
9. Almacene la manguera del compresor y la boquilla Sure Fit® en el compartimiento de almacenamiento.

Cómo inflar otros artículos inflables sin vástago de válvula

El inflado de otros artículos requiere el uso del adaptador de la boquilla.

1. Atornille el adaptador dentro la boquilla Sure Fit®. No apriete demasiado.
2. Inserte el adaptador en el artículo a ser inflado.
3. Siga los pasos 2 a 4 de la sección "Cómo inflar neumáticos o productos con vástagos de válvulas."
- NOTA IMPORTANTE:** Los artículos pequeños como las pelotas de voleibol, fútbol, etc. se inflan muy rápidamente. No infle demasiado.
4. Cuando se alcanza la presión deseada, el compresor se parará automáticamente. Pulse el botón de alimentación del compresor para apagar la unidad.
5. Desconecte el adaptador del artículo inflado.
6. Desatornille y retire el adaptador dla boquilla Sure Fit®.
7. Permita que la unidad se enfríe antes de almacenarla.
8. Almacene la manguera del compresor, la boquilla Sure Fit® y el adaptador de la boquilla en el compartimiento de almacenamiento.

CUIDADO Y MANTENIMIENTO

Con el tiempo, todas las baterías pierden energía debido a la descarga automática y con mayor rapidez en ambientes con temperaturas elevadas. Cuando la unidad no esté en uso, recomendamos cargar la batería al menos cada 30 días.

No sumerja este reflector en agua. Si la unidad se ensucia, limpie las superficies exteriores con cuidado. Utilice una tela suave humedecida con una mezcla diluida de agua y detergente.

No hay ningún usuario-sustituibles piezas. Periódicamente inspeccione la condición de adaptadores, conectores y alambres. Contacto fabricante para sustituir los componentes que han pasado a ser gastado o rotas.

Batería

Tenga en cuenta que la batería está diseñada para durar toda la vida útil de la unidad y no es reemplazable, extraíble ni reparable. La vida de servicio depende en un número de factores, incluyendo pero no limitado al número de ciclos de recarga, y el cuidado y mantenimiento adecuado de la batería por el usuario. Comuníquese con el fabricante para cualquier información que pueda necesitar.

ELIMINACIÓN SEGURA DE LA BATERÍA

Contiene una batería de plomo ácido, que se deben desechar de manera adecuada. Reciclar es necesario. El incumplimiento de regulaciones locales, estatales y federales, puede resultar en multas o prisión.

Por favor recicle.

⚠ ADVERTENCIAS:

- No deseché la batería en el fuego ya que puede ocasionar una explosión.
- Antes de desechar la batería, proteja las terminales descubiertas con cinta eléctrica para trabajos pesados. De esta manera previene cortos circuitos (los cortos circuitos pueden ocasionar lesiones e incendios).
- No exponga la batería al fuego o al calor extremo ya que puede explotar.



DETECCIÓN DE PROBLEMAS

La unidad no cargará	<ul style="list-style-type: none"> • Cerciórese de que se ha pulsado el botón para apagar el inversor. • Cerciórese de que una cuerda de extensión del calibrador correcto esté conectada correctamente con la unidad y un enchufe de funcionamiento de la CA.
La luz de área LED no enciende	<ul style="list-style-type: none"> • Asegúrese de que se ha pulsado el botón de encendido de la luz de área para encender la luz de área. • Compruebe que la unidad tiene una carga completa. Recargue la unidad en caso de necesidad.

La unidad no puede saltar comienzo el motor	<ul style="list-style-type: none"> • Asegúrese de que la unidad no está siendo operada en el modo Compresor. • Asegúrese de que el Interruptor del puente auxiliar de arranque de la unidad está en la posición encendido (on). • Controle que el puente auxiliar de arranque tenga la carga completa. Recargue la unidad en caso de necesidad. • Asegúrese de que se han realizado las conexiones de los cables con la polaridad correcta.
El enchufe de la ca de 120 voltios no accionará la aplicación	<ul style="list-style-type: none"> • Asegúrese de que se ha pulsado el botón de alimentación AC/USB para encender el inversor. • Cerciórese de que el interruptor del inversor esté en la posición de trabajo. • Cerciórese de le para haber seguido todos los pasos en las 120 instrucciones portables de la fuente de alimentación de la CA cuidadosamente. • Asegúrese de que el aparato está alimentado no extrae más de 500 vatios. • Refiera a las notas importantes incluidas en esa sección que explican problemas comunes y soluciones. • Compruebe que la unidad tiene una carga completa. Recargue la unidad en caso de necesidad.
El enchufe accesorio de la CC de 12 voltios no accionará la aplicación	<ul style="list-style-type: none"> • Cerciórese de que el aplicación no dibuje más de 5 amperios. • Compruebe que la unidad tiene una carga completa. Recargue la unidad en caso de necesidad.
El puerto de la energía del USB no accionará la aplicación	<ul style="list-style-type: none"> • Asegúrese de que el consumo total del dispositivo USB conectado al puerto USB no exceda de 2.1A. • Asegúrese de que se ha pulsado el botón de alimentación AC/USB para encender los puertos USB. • Algunos productos electrónicos de uso doméstico alimentados por USB no funcionan con esta puerto de carga / potencia del USB. Compruebe el manual del dispositivo electrónico correspondiente para confirmar que se puede utilizar con este tipo de puerto de carga / potencia del USB. • Compruebe que la unidad tiene una carga completa. Recargue la unidad en caso de necesidad.